

**RACCORDI IN OTTONE Zn TENUTA O-Ring CON ANELLO CONICO TAGLIATO
“COLLARE DI SICUREZZA RTAU®” ANTI-SVITAMENTO E ANTI-SFILAMENTO**

**Zn-BRASS PIPE FITTINGS WITH O-Ring SEAL WITH CUT CONICAL RING
ANTI-LOOSENING AND ANTI-DISCONNECTION “RTAU® SAFETY COLLAR”**

**KUPFERANSCHLÜSSE Zn DICHTUNG O-Ring MIT GESCHNITTENEM KEILRING
“SICHERHEITSRING RTAU®” SCHRAUB- UND ABZIEHFEST**

**RACCORDS EN LAITON ZINGUE JOINT TORIQUE AVEC BAGUE CONIQUE FENDUE
“COLLIER DE SECURITE RTAU®” ANTI-DEVISSAGE ET ANTI-ECHAPPEMENT**



SIRT
RAILWAY DIVISION

TOSI F.lli s.r.l.

EDITION: SEPTEMBER 2014





CERTIFICATE OF REGISTRATION

Si certifica che | This is to certify that

TOSI F.LLI S.R.L.

Via Monte Rosa, 1 - Z.I. - Franz. Roccapetra | 13019 VARALLO (VC) Italy

ha organizzato un SISTEMA DI GESTIONE PER LA QUALITÀ
operates a QUALITY MANAGEMENT SYSTEM

in conformità alla specifica tecnica ISO/TS 16949:2009
which complies with the requirements of ISO/TS 16949:2009

per il seguente scopo | for the following scope

Progettazione e fabbricazione di raccordi per impianti frenanti mediante tornitura, assemblaggi manuali e automatici. Fabbricazione di minuteria in ottone, acciaio automatico e rame mediante tornitura.
Design and manufacturing of pipe fittings for braking systems by means of turning, manual and automatic assembly. Manufacturing of brass, free cutting steel and copper turned precision parts.
Разработка и производство фитингов для тормозных систем посредством обточки, ручной и автоматической сборки. Производство высокоточных деталей из латуни, легкообрабатываемой (автоматной) стали и меди посредством обточки.

Attestato | Certificate TS 318
IATF Database No 0163239
Emissione | issued 22/05/2013

Scadenza | Expires 21/05/2016



M. Battaglia
Mario Battaglia
Regional Director - EMEA

Samer Chaouk
Samer Chaouk
Head of Policy, Risk and Certification

Registered by SAI Global Certification Services Pty Ltd (ACN 139 714 869) 19-25 Raggio Street South Melbourne VIC 3205 Australia with SAI Global Limited (SAI Global) and subject to the SAI Global Terms and Conditions for Certification. While all due care and attention was exercised in carrying out this assessment, SAI Global accepts responsibility only for proven negligence. This certificate remains the property of SAI Global and must be returned to SAI Global upon its request. To verify that this certificate is current, please refer to IATF's Oversight website at <http://www.oversight.org> and enter the IATF database number from this certificate in the certificate validity check section.



CERTIFICATE OF REGISTRATION

This is to certify that

TOSI F.LLI S.R.L.

Via Monte Rosa, 1 - Z.I. - Franz. Roccapetra | 13019 VARALLO VC Italy

operates a
Quality Management System

which complies with the requirements of
ISO 9001:2008

for the following scope of registration

Design and manufacturing of pipe fittings for braking systems by means of turning, manual and automatic assembly for the industrial, rail and automotive sector.
Manufacturing of brass, free cutting steel and copper turned precision parts for industrial applications.

Progettazione e fabbricazione di raccordi per impianti frenanti mediante tornitura, assemblaggi manuali e automatici per i settori industriale, ferroviario e automotive. Fabbricazione di minuteria in ottone, acciaio automatico e rame mediante tornitura per applicazioni industriali.
Разработка и производство фитингов для тормозных систем посредством обточки, ручной и автоматической сборки для промышленной, железнодорожной и автомобильной отраслей. Производство высокоточных деталей из латуни, легкообрабатываемой (автоматной) стали и меди посредством обточки для промышленного использования.

Certificate No.: SGQ 26/D

Original Certification Date: 10/01/1997

Current Certification Date: 11/01/2012

Issue Date: 16/12/2014

Certificate Expiry Date: 21/05/2016

Chris Jouppi
Chris Jouppi
President,
QM-SAI Canada Limited

Samer Chaouk
Samer Chaouk
Head of Policy, Risk and Certification

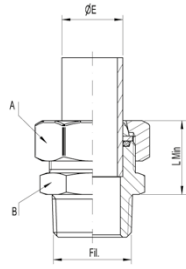


Registered by SAI Global Certification Services Pty Ltd, 200 Sussex Street, Sydney NSW 2000 Australia with QM-SAI Canada Limited, 35 Carlton Court, Suite 205, Toronto, Ontario M5W 7K5 Canada (SAI GLOBAL). This registration is subject to the SAI Global Terms and Conditions for Certification. While all due care and skill was exercised in carrying out this assessment, SAI Global accepts responsibility only for proven negligence. This certificate remains the property of SAI Global and must be returned to them upon request.



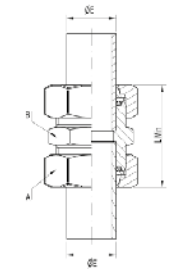
.SRM

P. 14 Raccordo di estremità filetto
Male connector
Gerade einschraubungen
Union male



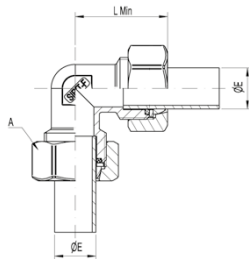
.SRI

P. 15 Raccordo intermedio diritto
Union
Gerade verschraubungen
Union



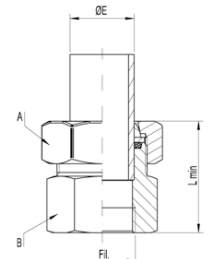
.SGI

P. 15 Raccordo intermedio a gomito
Union elbow
Winkel verschraubungen
Equerre



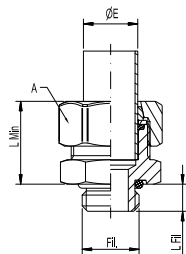
.SRF

P. 16 Raccordo di estremità filetto femmina
Female connector
Gerade aufschraubverschraubungen
Union femelle



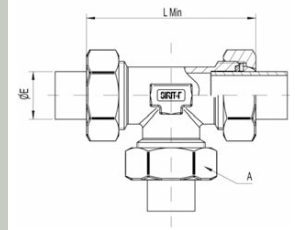
.SRO

P. 17 Raccordo di estremità filetto cilindrico con O-Ring di tenuta
Union male cylindrical thread with sealing o-ring
Gerade-einschraubungen zylindergeringe mit dichtungsring
Raccord d'extrémité à filetage cylindrique avec joint torique



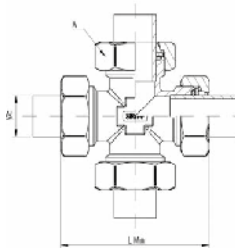
.STI

P. 18 Raccordo intermedio a tee
Union tee
T - verschraubungen
Te



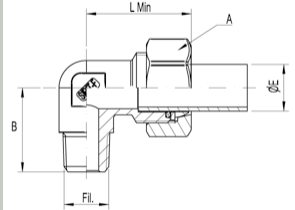
.SCR

P. 18 Raccordo intermedio a croce
Union cross
Kreuz verschraubungen
Croix



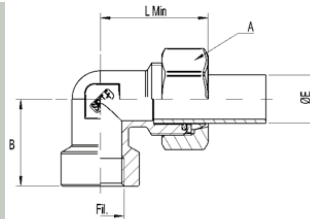
.SGM

P. 19 Gomito di estremità filetto
Male elbow
Winkel einschraubverschraubungen
Equerre male



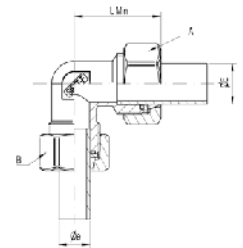
.SGF

P. 20 Gomito di estremità filetto femmina
Female elbow
Winkel aufschraubverschraubungen
Equerre femelle



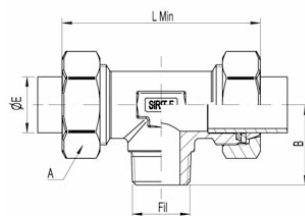
.SGR

P. 21 Raccordo intermedio a gomito ridotto
Reducing union elbow
Reduzier winkel verschraubungen
Equerre reduit



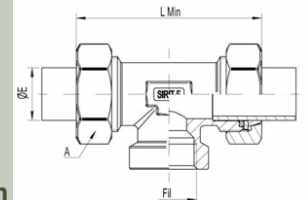
.STM

P. 22 "T" di estremità filetto
Male tee
T einschraubverschraubungen
T male



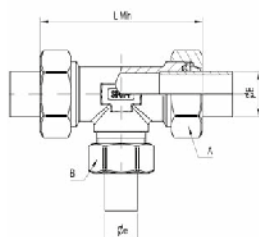
.STF

P. 23 "T" di estremità filetto femmina
Female tee
T aufschraubverschraubungen
T femelle



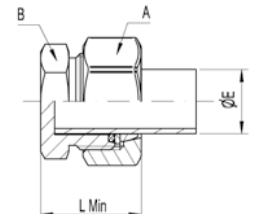
.STR

P. 24 Raccordo intermedio a tee ridotto
Reducing union tee
Reduzier verschraubungen
Te reduit



.STP

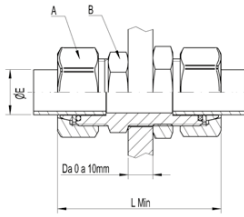
P. 25 Raccordo tappo
Cap
Rohrverschluss
Bouchon



.SRP

P. 25

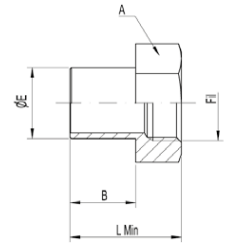
Raccordo intermedio passa-parete
Bulkhead union
Schottverschraubungen
Passage de cloison



.SAF

P. 26

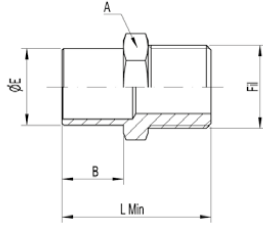
Raccordo adattatore filetto femmina
Tube and female adapter
Gerade aufschraubver schraubunghen
Adapteur femelle



.SAG

P. 27

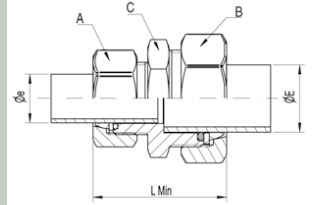
Raccordo adattatore filetto
Tube an male adapter
Gerade einschraubstutzen
Adepteur male



.SRR

P. 28

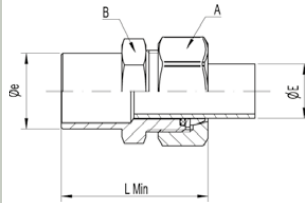
Raccordo intermedio di riduzione
Reducing union
Reduzier verschraubungen
Union reduit



.SAR

P. 29

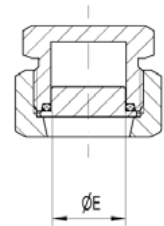
Raccordo adattatore di riduzione
Tube and reducer
Konus reduzieranschlüsse
Adepteur union reduit



.SOT

P. 30

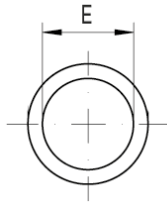
Otturatore
Plug
Stopfen
Obturateur



.SOR

P. 30

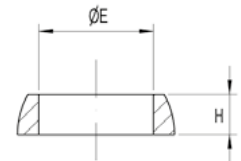
O-Ring
O-Ring
O-Ring
Joint torique



.SAC

P. 31

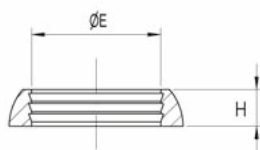
Anello conico
Conical ring
Kegelring
Bague conique



.SRA

P. 31

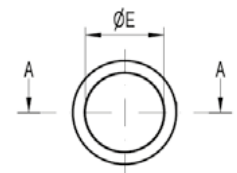
Anello conico rigato in acciaio inox
Stainless steel splined conical ring
Kegelring aus rostfreiem stahl mit nuten
Bague conique rainée en acier inoxydable



.SPR

P. 32

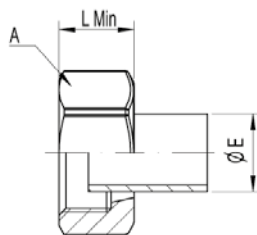
Rondella piana
Washer
Unverlierbare
Rondelle



.SDA

P. 32

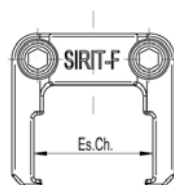
Dado
Nut
Überwurfmuttern
Ecrrou



.SCO

P. 35

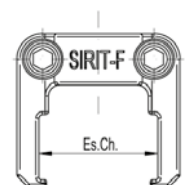
"Collare di sicurezza RTAU®" in ottone
Zn - brass "RTAU® safety collar"
RTAU® - sic herheitsbund aus verzinktem messing
"Collier de sécurité RTAU®" en laitton zinguè



.SC**

P. 35

"Collare di sicurezza RTAU®" in acciaio galvanizzato e acciaio inossidabile
Galvanized and stainless steel "RTAU® safety collar"
RTAU® - sic herheitsbund aus verzinktem und rostfreiem stahl
"Collier de sécurité RTAU®" en acier



Suffissi	Descrizione	Esempio
R	Raccordo terminale dir.standard con anello rigato in acciaio Inox	.SRM 25 34 R
V	Raccordo terminale dir.standard fornito con o-ring in Viton	.SRM 25 34 V
NB	Raccordo terminale dir.standard fornito senza battuta tubo	.SRM 25 34 NB
C	Raccordo terminale dir.standard fornito con collare secur. In OT zn	.SRM 25 34 C
-	Raccordo terminale dir.standard fornito con o-ring in super nitrile	.SRM 25 34
B	Raccordo terminale dir.standard fornito con o-ring in NBR	.SRM 25 34 B
ZN	Raccordo adattatore fornito zincato	MA092 21 21 ZN
N	Raccordo adattatore fornito nichelato	MA092 21 21 N

Esempio:

			I° suffisso	II° suffisso	III° suffisso	IV° suffisso
.SRM	25	34	V	NB	R	C
Raccordo terminale diritto conico	tubo Ø25	BSPT 1"	O-Ring Viton	senza battuta	anello rigato INOX	Collare di Sicurezza RTAU®

Suffixes	Description	Examples
R	Standard dir. end connector with ruled-stainless steel ring	.SRM 25 34 R
V	Standard dir. end connector supplied with Viton O-ring	.SRM 25 34 V
NB	Standard dir. end connector supplied without no shoulder pipe	.SRM 25 34 NB
C	Standard dir. end connector supplied with OT zn safety collar	.SRM 25 34 C
-	Standard dir. end connector supplied with super-nitrile o-ring	.SRM 25 34
B	Standard dir. end connector supplied with NBR o-ring	.SRM 25 34 B
ZN	Galvanized adaptor connector	MA092 21 21 ZN
N	Nickel-plated adaptor connector	MA092 21 21 N

Example:

			I° suffix	II° suffix	III° suffix	IV° suffix
.SRM	25	34	V	NB	R	C
End connector straight conical	pipeØ25	BSPT 1"	O-Ring Viton	No shoulder	Stainless steel ruled ring	RTAU® Safety collar

Suffixe	Beschreibung	Beispiel
R	Endverschraubung gerade, Standard, mit gefurchem Ring aus Edelstahl	.SRM 25 34 R
V	Endverschraubung gerade, Standard, mit O-Ring aus Viton	.SRM 25 34 V
NB	Endverschraubung gerade, Standard, ohne Rohranschlag	.SRM 25 34 NB
C	Endverschraubung gerade, Standard, mit Sicherheitsschelle in MS zn	.SRM 25 34 C
-	Endverschraubung gerade, Standard, mit O-Ring aus Supernitril	.SRM 25 34
B	Endverschraubung gerade, Standard, mit O-Ring aus NBR	.SRM 25 34 B
ZN	Adapterverschraubung verzinkt	MA092 21 21 ZN
N	Adapterverschraubung vernickelt	MA092 21 21 N

Beispiel:

.SRM	25	34	I° suffix V	II° suffix NB	III° suffix R	IV° suffix C
Endverschraubung gerade konisch	Rohr Ø25	BSPT 1"	Viton-O-Ring	ohne Anschlag	gefurchter Edelstahlring	Sicherheitsschelle RTAU®

Suffixes	Description	Exemple
R	Raccord droit standard avec bague rainée en acier inoxydable	.SRM 25 34 R
V	Raccord droit standard fourni avec joint torique en Viton	.SRM 25 34 V
NB	Raccord droit standard fourni sans butée	.SRM 25 34 NB
C	Raccord droit standard fourni avec collier de sécurité en Laiton Zn	.SRM 25 34 C
-	Raccord droit standard fourni avec joint torique en super nitrile	.SRM 25 34
B	Raccord droit standard fourni avec joint torique en NBR	.SRM 25 34 B
ZN	Raccord adaptateur fourni zingué	MA092 21 21 ZN
N	Raccord adaptateur fourni nickelé	MA092 21 21 N

Exemple:

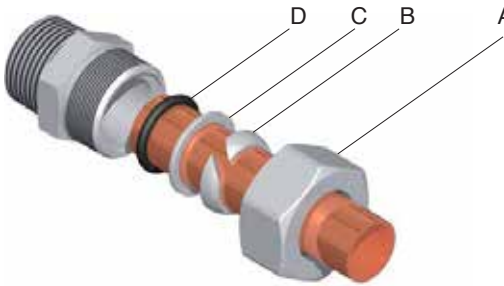
.SRM	25	34	I° suffixe V	II° suffixe NB	III° suffixe R	IV° suffixe C
Raccord droit conique	tube Ø25	BSPT (Filetage Whitworth gaz) 1"	Joint torique Viton	sans butée	bague rainée INOXYDABLE	Collier de sécurité RTAU®

TUBI: Il principio su cui si basa il raccordo RTAU/SIRIT assicura un'ottima tenuta anche fra tubi non perfettamente allineati (scostamento assiale consentito $\pm 4^\circ$) e perfino al di fuori delle normali tolleranze sia per quanto riguarda il diametro esterno effettivo, che per le rugosità ed eventuali ovalizzazioni. Inoltre, a differenza di altri tipi di giunzione, è insensibile alle vibrazioni ed alle sollecitazioni termiche.

TUBES: RTAU/SIRIT pipe fittings ensure optimal sealing not only between not perfectly aligned pipes (allowed axial deviation $\pm 4^\circ$), but even in case of irregular pipe tolerances both as regards the actual external diameter, roughness and possible ovalizations. In addition, contrary to other types of pipe fittings, they are unaffected by vibrations and thermal stresses.

ROHRE: Das Prinzip auf dem die RTAU/SIRIT-Verbindung basiert, garantiert auch zwischen nicht perfekt ausgerichteten Rohren eine optimale Dichtung (zulässige Achsabweichung $\pm 4^\circ$) und sogar außerhalb der normalen Toleranzen, sei es im Hinblick auf den effektiven Außendurchmesser, wie auch im Hinblick auf die Furchung und eventuelle Unrundheiten. Weiterhin ist diese Dichtung im Vergleich zu anderen Dichtungsarten unempfindlich gegen Vibrationen und thermische Beanspruchung.

TUBES: Le principe de base du raccord RTAU/SIRIT garantit une étanchéité optimale même entre les tubes qui ne sont pas parfaitement alignés (écartement axial admis $\pm 4^\circ$) et pour ceux dépassant les tolérances normales aussi bien pour ce qui est du diamètre externe effectif, que pour les rugosités et les éventuelles ovalisations. De plus, à la différence des autres types de joints, le raccord est insensible aux vibrations et aux sollicitations thermiques.



MONTAGGIO: Il semplicissimo montaggio dei raccordi si effettua infilando sul tubo i suoi componenti nel seguente ordine. Per primo il dado (A) poi l'anello conico (B) che, stringendosi nella sede del dado, ha la funzione di bloccare saldamente il tubo impedendone lo sfilamento e garantendo così la tenuta meccanica. Quindi si deve montare la rondella (C) di protezione ed infine l'O-ring (D). Quest'ultimo, compresso dalla rondella nell'apposita sede ricavata sull'imboccatura del raccordo, ne garantisce la tenuta ermetica. Serrare il dado (A) alla coppia prevista dalla tabella (pag. 6). - N.B.: Attenersi alle istruzioni di montaggio (pag. 12).

ASSEMBLY: The assembly of the pipe fittings is very easy and is performed by inserting their components on the pipe in the following order. First install the nut (A), then the conical ring (B) which, by tightening in the nut seat, firmly locks the pipe, thus avoiding its disconnection and ensuring its mechanical seal. Then, fit the protection washer (C) and finally the O-ring (D). The

latter, being compressed by the washer housed in its seat on the union mouthpiece, ensures its hermetic sealing. Tighten the nut (A) according to the torque value specified in the table (page 6). NOTE: Follow assembly instructions (page 12).

MONTAGE: Die einfache Montage der Verschraubungen erfolgt durch Einsetzen der Komponenten in das Rohr mit folgender Reihenfolge. Zuerst die Mutter (A), dann den konischen Ring (B), der durch Festziehen der Mutter in ihrer Aufnahme die Funktion hat, das Rohr zu blockieren, auf diese Weise das Herausziehen zu vermeiden und mechanische Dichtigkeit zu garantieren. Dann die Unterlegscheibe (C) und schließlich den O-Ring (D) montieren. Dieser garantiert durch den Druck, den die Unterlegscheibe in der entsprechenden Aufnahme an der Öffnung der Verschraubung ausübt, hermetische Dichtigkeit. Mutter (A) am von der Tabelle (S. 6) vorgesehenen Anziehmoment festziehen. P.S.: Montageanweisungen beachten (S. 12).

ASSEMBLY: Le montage extrêmement simple des raccords s'effectue en enfilant sur le tube ses différents composants dans l'ordre suivant. En premier lieu, l'écrou (A) puis la bague conique (B) qui, en se resserrant au niveau du logement de l'écrou, a la fonction de bloquer solidement le tube, empêchant son déboîtement et garantissant ainsi l'étanchéité mécanique. Montez ensuite la rondelle (C) de protection et enfin le joint torique (D). Ce dernier qui est comprimé par la rondelle dans le logement prévu à cet effet sur l'entrée du raccord, en garantissant l'étanchéité. Serrez l'écrou (A) selon le couple prévu par le tableau (page 6). - N.B.: Veuillez respecter les instructions de montage (page 12).

IL "COLLARE DI SICUREZZA RTAU" ANTI-SVITAMENTO E ANTI-SFILAMENTO. ANTI-SVITAMENTO E ANTI-SFILAMENTO ANTI-LOOSENING AND ANTI-DISCONNECTION "RTAU" SAFETY COLLAR" "SICHERHEITSSHELLE RTAU" - ABSCHRAUB- UND ABDEHSICHER "COLLIER DE SÉCURITÉ RTAU" - ANTI - DEVISSAGE ET ANTI-DEBOITEMENT



CARATTERISTICHE TECNICHE: Il "collare di sicurezza RTAU" consente anche su impianti già montati ed in funzione, di evitare lo svitamento del dado e, nello stesso tempo, di trattenere il tubo in caso di sfilamento della connessione. Applicabile su raccordi di altri costruttori (retrofit) e anche su raccordi DIN 2353.

MONTAGGIO: Dopo aver verificato l'esatta coppia di chiusura del dado prevista dai Costruttori dei raccordi, posizionare i due semicollari sul tubo in appoggio al dado nella posizione più comoda per il serraggio delle viti d'accoppiamento. Serrare le viti ad una coppia di 5Nm.

TECHNICAL CHARACTERISTICS: The "RTAU" safety collar prevents the nut from loosening and at the same time holds the pipe in case of disconnection, even when assembled on already mounted and working installations. Connectable to other brand pipe fittings (retrofit) and to DIN 2353 pipe fittings.

ASSEMBLY: Check the right nut tightening as prescribed by the pipe fitting manufacturers, place the two semi-collars on the pipe, by engaging the nut, in the most convenient position to tighten the coupling screws. Tighten the screws to 5 Nm torque.

TECHNISCHE EIGENSCHAFTEN: Die "Sicherheitsschelle RTAU" verhindert auch bei bereits montierten und in Betrieb befindlichen Anlagen das Abschrauben der Mutter und gleichzeitig das Blockieren des Rohres bei Entnahme der Verschraubung. Anwendbar bei verschraubungen anderer hersteller (retrofit) sowie bei DIN 2353 verschraubungen.

MONTAGE: Nach Überprüfen des genauen Schließmoments der Mutter, wie vom Hersteller der Verschraubungen vorgesehen, die beiden Halbkreise so auf das Rohr und die Mutter positionieren, dass die Verbindungsschrauben bequem angezogen werden können. Die Schrauben mit einem Drehmoment von 5Nm verschrauben.

CARACTERISTIQUES TECHNIQUES: Le "collier de sécurité RTAU" permet, même sur des installations déjà montées et en fonctionnement, d'éviter le dévissage de l'écrou et, dans le même temps, de retenir le tube en cas de déboîtement de la connexion. applicable sur des raccords d'autres constructeurs (retrofit / conversion) ainsi que sur des raccords DIN 2353.

MONTAGE: Après avoir vérifié le couple exact de fermeture de l'écrou prévu par les Constructeurs des raccords, placez les deux demi-colliers sur le tube en appui sur l'écrou dans la position la plus pratique pour le serrage des vis d'accouplement. Serrez les vis à un couple de 5Nm.

MATERIALI: Corpi, rondelle, anelli, dadi, collari in ottone.

FINITURE SUPERFICIALI: Trattamento di passivazione bianca Fe/Zn 8-UNI ISO 2081 con cromo trivalente (esente da cromo esavalente) con SIGILLANTE (in ottemperanza alla NORMATIVA EUROPEA 200/53 CE).

MATERIALS: Bodies, washers, rings, nuts, brass collars.

SURFACE FINISHING: Fe/Zn 8-UNI ISO 2081 WHITE passivation with trivalent chromium (hexavalent chromium free) with SEALING (in compliance with the EUROPEAN DIRECTIVE 200/53/CE).

MATERIALIEN: Gehäuse, Unterlegscheiben, Ringe, Muttern, aus MESSING:

OBERFLÄCHENBEARBEITUNG: Passivierung WEISS Fe/Zn 8-UNI ISO 2081 mit dreiwertigem Chrom (ohne hexavalentes Chrom) mit VERSIEGELUNG (bei Einhaltung der EUROPÄISCHEN NORM 200/53 CE).

MATERIAUX : Corps, rondelles, bagues, écrous, colliers en LAITON:

FINITIONS SUPERFICIELLES : Traitement de passivation BLANCHE Fe/Zn 8-UNI ISO 2081 avec chrome trivalent (exempt de chrome hexavalent) avec AGENT D'ETANCHEITE (conformément à la DIRECTIVE EUROPEENNE 200/53 CE).

**PRESSIONI MASSIME DI SERVIZIO - MAXIMUM WORKING PRESSURES
MAXIMALER BETRIEBSDRUCK - PRESSIONS MAXIMUM DE SERVICE**

Table 1 / Tubo in millimetri - Pipe (mm) - Rohr in Millimetern - Tube en millimètres																		
ø	6	8	10	12	14	16	18	20	22	25	28	30	32	35	38	42	45	48
bar	100	100	100	100	100	85	85	65	65	65	60	60	40	40	40	40	35	30

Table 1 / Tubo in pollici - Pipe (inches) - Rohr in Zoll - Tube en pouces									
ø	1/8	1/4	3/8	1/2	3/4	1	1 1/4	1 1/2	2
bar	100	100	100	80	80	40	40	30	30

Le pressioni da 20 a 100 bar sono da intendersi come MASSIME di esercizio compresi i valori di punta nelle condizioni di lavoro. Normali in laboratorio e con campo di temperature di ESERCIZIO comprese tra -30°C +110°C.

Pressures from 20 to 100 bar are intended as MAXIMUM working pressures, including the peak values during NORMAL working conditions in laboratory and with a WORKING temperature range between - 30°C and +110°C.

Druckwerte zwischen 20 und 100 bar sind als MAXIMALE Betriebswerte zu verstehen, einschließlich der Höchstwerte unter Normalbedingungen im Labor und mit einem Temperaturbereich von -30°C +110°C.

Les pressions de 20 à 100 bars doivent être considérées comme des pressions MAXIMUM d'exercice y compris pour les valeurs de crête dans les conditions Normales de travail en laboratoire et avec des températures d'EXERCICE comprises entre -30°C et +110°C.

**COPPIE DI SERRAGGIO DEL DADO - NUT TIGHTENING TORQUES
ANZIEHMOMENT DER MUTTER - COUPLES DE SERRAGE DE L'ECROU**

Table 2 / Tubo rame in millimetri - Copper pipe (mm) - Tube en cuivre en millimètres																		
ø	6	8	10	12	14	16	18	20	22	25	28	30	32	35	38	42	45	48
Nm	32	35	45	50	50	50	50	70	80	80	110	120	130	160	260	290	290	300

Table 2 / Tubo inox in pollici - Stainless steel pipe (inches) - Tube inoxydable en pouces									
ø	1/8	1/4	3/8	1/2	3/4	1	1 1/4	1 1/2	2
Nm	40	50	50	50	80	100	160	260	320

IMPORTANTE: vedere "Responsabilità prodotti" pag. 25. - **IMPORTANT:** See "Product liability" page 25. - **WICHTIG:** siehe "Produkthaftpflicht" S.25 - **IMPORTANT :** veuillez vous reporter au point "Responsabilité des produits" page 25.

MATERIALE: OTTONE
 UNI EN 12164 CW614 N per particolari ottenuti per lavorazione di tornitura
 UNI EN 12165 CW617 N per particolari ottenuti per lavorazione di stampaggio

FILETTATURE: GAS CILINDRICA = UNI EN ISO 228.1
 GAS CONICA = UNI ISO 7/1 (UNI EN ISO10226/1)

Tenuta ermetica delle filettature coniche.

Le filettature coniche non sono a tenuta ermetica. Per ottenere una tenuta ermetica, a prova di perdite, sono necessari elementi di tenuta supplementari. Validi sono i nastri di tenuta PTFE (esempio TEFLON).

ANELLO DI TENUTA **.SOR** de "LE JOINT FRANÇAIS" distribuito in Italia dalla DALMAR

Super nitrile	7PB496	standard	-30°C +110°C
Viton	7DF1719	suffisso V	-30°C +200°C
NBR	7PD1630	suffisso B	-45°C +100°C

MATERIAL: BRASS
 UNI EN 12164 CW614 N for components obtained by turning
 UNI EN 12165 CW617 N for components obtained by forging

THREADS: GAS CYLINDRICAL = UNI EN ISO 228.1
 GAS CONICAL = UNI ISO 7/1 (UNI EN ISO 10226/1)

Hermetic sealing of conical threads

The conical threads are not hermetically sealed. Additional elements are needed to ensure their hermetic sealing to avoid any leaks.

The PTFE tapes (e.g. TEFLON) are efficacious sealing products.

SEALING RING **.SOR** of "LE JOINT FRANÇAIS" distributed in Italy by DALMAR.

Super nitrile	7PB496	standard	-30°C +110°C
Viton	7DF1719	suffix V	-30°C +200°C
NBR	7PD1630	suffix B	-45°C +100°C

MATERIAL: MESSING
 UNI EN 12164 CW614 N für Teile zwecks Drechselarbeiten
 UNI EN 12165 CW617 N für Teile zwecks Formdruckarbeiten

GEWINDE: GAS ZYLINDRISCH = UNI EN ISO 228.1
 GAS KONISCH = UNI ISO 7/1 (UNI EN ISO10226/1)

Hermetische Dichtheit der konischen Gewinde

Die konischen Gewinde sind nicht hermetisch dicht. Um hermetische Dichtheit zu erhalten, die auch Lecks standhält, sind zusätzliche Dichtungselemente notwendig. Dazu eignen sich PTFE - Dichtungsbänder (zum Beispiel TEFLON).

DICHTUNGSRING **.SOR** de "LE JOINT FRANÇAIS" Vertrieb in Italien durch Fa. DALMAR

Super nitrile	7PB496	standard	-30°C +110°C
Viton	7DF1719	suffix V	-30°C +200°C
NBR	7PD1630	suffix B	-45°C +100°C

MATERIAU: LAITON
 UNI EN 12164 CW614 N pour détails obtenus par usinage en tournage
 UNI EN 12165 CW617 N pour détails obtenus par usinage en moulage

FILETAGES : GAZ CYLINDRIQUE = UNI EN ISO 228.1
 GAZ CONIQUE = UNI ISO 7/1 (UNI EN ISO10226/1)

Etanchéité des filetages coniques

Les filetages coniques ne sont pas étanches. Pour obtenir une étanchéité, sans fuites, des éléments d'étanchéité supplémentaires sont nécessaires. Les lames d'étanchéité en PTFE sont parfaitement valables (exemple : le TEFLON).

BAGUE D'ETANCHEITE **.SOR** fabriqué par "LE JOINT FRANÇAIS" distribuée en Italie par la société DALMAR

Super nitrile	7PB496	standard	-30°C +110°C
Viton	7DF1719	suffixe V	-30°C +200°C
NBR	7PD1630	suffixe B	-45°C +100°C

GENERALITÀ: I raccordi assolvono disgiuntamente la funzione di tenuta e quella di ancoraggio delle tubazioni di collegamento, ripristinandone la continuità strutturale, al fine di garantire l'antisvitamento del dado dal corpo e l'antisfilamento del tubo dal raccordo stesso.

Di seguito sono riportate le prove eseguite con riferimento alle SPECIFICHE FERROVIARIE PER RACCORDI IN CLASSE "A".

CAMPIONATURA IN ESAME:

- Raccordo diritto per tubo in rame \varnothing 25 spessore 2 mm
- Raccordo diritto per tubo in acciaio inox \varnothing 3/8" spessore 1,5 mm
- Spezzone di tubo di lunghezza 150 mm sia \varnothing 25 in rame che \varnothing 3/8" in acciaio inox
- Raccordo con attacco femmina e relativo tappo di chiusura
- Collare di sicurezza \varnothing 25
- Collare di sicurezza \varnothing 3/8"

• 1 - PROVA DI SFILAMENTO A TRAZIONE:

Carico rilevato per cui inizia lo sfilamento del raccordo:

- Tubo in inox \varnothing 3/8" x 1,5 mm : 6300 N con coppia di serraggio 50 Nm
- Tubo in rame \varnothing 25 x 2 mm : 13600 N con coppia di serraggio 80 Nm

• 1b - PROVA DI SFILAMENTO A TRAZIONE con "Collare di sicurezza RTAU":

Carico rilevato per cui inizia lo sfilamento del raccordo:

- Tubo inox \varnothing 3/8" x 1,5 mm : 7200 N con coppia di serraggio 50 Nm (5 Nm per le viti del collare)
- Tubo in rame \varnothing 25 x 2 mm : 15400 N con coppia di serraggio 80 Nm (5 Nm per le viti del collare)

• 2 - PROVA DI SFILAMENTO ALLA PRESSIONE IDRAULICA:

Il circuito è alimentato aumentando progressivamente la pressione idraulica. La verifica è stata eseguita con chiusura del dado, alle coppie indicate nella tabella 2 (pag. 2). Le pressioni di prova utilizzate sono state del 30% superiori a quelle indicate in tabella 1 (pag. 2).

• 3 - PROVA DI TENUTA:

Dopo aver alimentato i campioni in esame alle pressioni riportate nella tabella 1 (pag.2), e trascorsi 10 min. non è stata verificata nessuna variazione di pressione rispetto a quella iniziale.

• 4 - PROVA DI RESISTENZA ALLA PRESSIONE PULSANTE:

Sono stati eseguiti 10^6 cicli con frequenza di pulsazione di 2 sec., da 0 bar a 55 bar. Test eseguito su raccordo diritto \varnothing 25 con tubo in rame con e senza collare di sicurezza.

• 5 - PROVA DI RESISTENZA AGLI EFFETTI COMBINATI DELLA PRESSIONE E FENOMENI VIBRATORI:

I campioni di raccordi diritti \varnothing 25 con tubo in rame con e senza collare di sicurezza, sono stati alimentati alla pressione costante di 55 bar con olio SAE10 alle seguenti condizioni:

- Frequenze random da 20 Hz a 200 Hz
- Accelerazioni sino a 10 g
- Durata della prova 10 ore
- Temperatura ambiente

• 6 - PROVA DI RESISTENZA ALLE VARIAZIONI TERMICHE:

I campioni in esame alimentati alla pressione pneumatica di 10 bar, sono stato sottoposti a 10 cicli termici con alternanza delle temperature di -40°C e +140°C. Prima di ogni alternanza si è atteso un tempo di stabilizzazione di 8 ore.

NOTA: Le prove 4 e 5 sono state eseguite sui medesimi campioni.

Il rapporto di prova N°VIBR 10_083 del TÜV Italia s.r.l. è scaricabile dal nostro sito.

PROVE IN NEBBIA SALINA:

Eseguite presso AQM:



Soluzione: Acqua deionizzata + NaCl RPE 99,5% (concentrazione 50 g/l).

Inclinazione del campione in camera: 30°.

Temperatura di prova: 35°C

Ph della soluzione di prova: 6,9.

Durata di esposizione totale: 2000 ore (con controlli visivi sistematici e relativa documentazione intermedia della stato superficiale dei raccordi).

Il rapporto di prova N° 2010 - 1485/PC-2 relativo alle 2000 ore di durata test è scaricabile dal nostro sito.

GENERALS: The pipe fittings perform two functions: the sealing and the anchorage of the connection pipes, by recovering their structural continuity to prevent the nut to be loosened from the body and the pipe to be disconnected from the pipe fitting. The tests carried out in compliance with the RAILWAY SPECIFICATIONS FOR CLASS "A" PIPE FITTINGS are reported here below.

EXAMINED SAMPLES:

- Straight union for \varnothing 25 copper pipe, 2 mm thick
- Straight union for \varnothing 3/8" stainless steel pipe, 1.5 mm thick
- 150 mm pipe length both \varnothing 25 in copper and \varnothing 3/8" in stainless steel
- Female union and associated cap
- \varnothing 25 safety collar
- \varnothing 3/8" safety collar

• 1 - DISCONNECTION TEST UNDER TRACTION:

Detection of load causing the pipe fitting disconnection:

- \varnothing 3/8" x 1.5 mm stainless steel pipe: 6300 N with 50 Nm tightening torque
- \varnothing 25 x 2 mm copper pipe: 13600 N with 80 Nm tightening torque

• 1b - DISCONNECTION TEST UNDER TRACTION with "RTAU" safety collar":

Detection of load causing the pipe fitting disconnection:

- \varnothing 3/8" x 1.5 mm stainless steel pipe: 7200 N with 50 Nm tightening torque (5 Nm for collar screws)
- \varnothing 25 x 2 mm copper pipe: 15400 N with 80 Nm tightening torque (5 Nm for collar screws)

• 2 - DISCONNECTION TEST UNDER HYDRAULIC PRESSURE:

The circuit is fed by progressively increasing the hydraulic pressure. This test has been carried out by tightening the nut according to the torque values specified in table 2 (page 2).

The applied test pressures have been 30 % higher than those specified in table 1 (page 2).

• 3 -TIGHTNESS TEST:

10 min after having fed the samples under test with the pressures specified in table 1 (page 2) no pressure variation has been detected with respect to the initial one.

• 4 - ENDURANCE TEST AT PULSATING PRESSURE:

106 cycles with 2 sec frequency pulsation from 0 bar to 55 bar have been carried out. Test executed on a \varnothing 25 straight union with copper pipe, with and without safety collar.

• 5 - ENDURANCE TEST UNDER PRESSURE AND VIBRATION COMBINED EFFECTS:

The \varnothing 25 straight union samples with copper pipe, with and without safety collar, have been fed at 55 bar constant pressure with SAE10 oil under the following conditions:

- Random frequencies from 20 Hz to 200 Hz
- Accelerations up to 10 g
- 10 hour test duration
- Ambient temperature

• 6 - ENDURANCE TEST UNDER THERMIC VARIATIONS:

The samples under test have been fed at 10 bar pneumatic pressure and submitted to 10 thermal cycles by alternating the temperatures of -40°C and +140°C. A stabilization time of 8 hours has been waited for before each temperature change

NOTE: Tests 4 and 5 have been carried out on the same samples.

The report No. VIBR 10_083 of TÜV Italia s.r.l. can be downloaded from our site.

SALT FOG TESTS:

Carried out at:



Solution: deionized water + NaCl RPE 99.5% (50 g/l concentration)

Sample inclination in the chamber: 30°C

Test temperature: 35°C

Test solution Ph: 6.9

Total exposition duration: 2000 hours (with systematic visual inspections and relative intermediate documentation of the pipe fittings surface status).

The report N°. 2010-1485/PC-2 relative to 2000h duration test can be downloaded from our site.

ANGABEN: Die Verschraubungen fungieren unabhängig als Dichtung wie auch als Befestigung für die Anschlussrohrleitungen und stellen auf diese Weise die strukturelle Einheitlichkeit wieder her, damit die Mutter nicht losgeschraubt und das Rohr nicht aus der Verschraubung entnommen werden kann.

Nachfolgend sind die Tests aufgeführt, die mit Bezug auf die EISENBAHN-SPEZIFIKATIONEN FÜR VERSCHRAUBUNGEN IN DER KLASSE „A“ vorgenommen wurden.

UNTERSUCHTE MUSTER:

- gerade Verschraubung für Kupferrohr $\varnothing 25$ Dicke 2mm
- gerade Verschraubung für Edelstahlrohr $\varnothing 3/8$ Dicke 1,5mm
- Rohrstück Länge 150 mm mit $\varnothing 25$ aus Kupfer und $\varnothing 3/8$ aus Edelstahl
- Verschraubung mit Aufsteckanschluss und entsprechendem Deckelverschluss
- Sicherheitsschelle $\varnothing 25$
- Sicherheitsschelle $\varnothing 3/8$

• 1 - GLEITKRAFTZUG-VERSUCH:

Festgestellte Beanspruchung, daher beginnender Gleitvorgang der Verschraubung:

- Edelstahlrohr $\varnothing 3/8$ x 1,5 mm : 6300 N mit Spannmoment 50 Nm
- Kupferrohr $\varnothing 25$ x 2mm : 13600 N mit Spannmoment 80 Nm

• 1b - GLEITKRAFTZUG-VERSUCH mit „Sicherheitsschelle RTAU“:

Festgestellte Beanspruchung, daher beginnender Gleitvorgang der Verschraubung:

- Edelstahlrohr $\varnothing 3/8$ x 1,5 mm : 7200 N mit Spannmoment 50 Nm (5 Nm für die Schrauben der Schelle)
- Kupferrohr $\varnothing 25$ x 2mm : 15400 N mit Spannmoment 80 Nm (5 Nm für die Schrauben der Schelle)

• 2 - GLEITKRAFT-VERSUCH MIT HYDRAULISCHEM DRUCK:

Der Kreislauf wird durch fortschreitende Erhöhung des hydraulischen Drucks versorgt. Die Prüfung wurde mit dem Verschluss der Mutter bei der in Tabelle 2 (S.2) angegebenen Drehmomenten vorgenommen.

Die Werte des eingesetzten Testdrucks waren um 30% höher als die in Tabelle 1 (S.2) angegebenen.

• 3 - DICHTHEITSPRÜFUNG:

Nach Versorgung der zu untersuchenden Muster mit den in Tabelle 1 (S.2) aufgeführten Druckwerten und nach Ablauf von 10 Minuten wurde keine Druckänderung im Vergleich zum anfänglichen Wert festgestellt.

• 4 - WIDERSTANDSFÄHIGKEITSPRÜFUNG BEI PULSIERENDEM DRUCK:

Es wurden 106 Zyklen mit einer Pulsierfrequenz von 2 Sek. von 0 bar bis 55 bar durchgeführt. Der Test wurde an einer geraden Verschraubung mit $\varnothing 25$ und Kupferrohr mit und ohne Sicherheitsschelle vorgenommen.

• 5 - WIDERSTANDSFÄHIGKEITSTEST ZU DEN GLEICHZEITIGEN AUSWIRKUNGEN VON DRUCK UND VIBRATIONEN:

Die Testexemplare der geraden Verschraubungen mit $\varnothing 25$ und Kupferrohr mit und ohne Sicherheitsschelle wurden bei einem konstanten Druck von 55 bar mit SAE10-Öl unter folgenden Bedingungen vorgenommen:

- Random-Frequenzen von 20 Hz bis 200 Hz
- Beschleunigungen bis zu 10 g
- Testdauer 10 Stunden
- Raumtemperatur

• 6 - WIDERSTANDSFÄHIGKEITSTEST ZU THERMISCHEN ÄNDERUNGEN:

Die untersuchten Exemplare mit einem Druck von 10 bar werden 10 thermischen Zyklen bei Temperaturen von abwechselnd -40°C und $+140^{\circ}\text{C}$ ausgesetzt. Vor jedem Abwechseln wurde ein Stabilisierungszeitraum von 8 Stunden abgewartet.

ANMERKUNG: Die Tests 4 und 5 wurden bei den gleichen Mustern vorgenommen.

Il rapporto di prova N°VIBR 10_083 del TÜV Italia s.r.l. è scaricabile dal nostro sito.

TEST IM SPRÜHNEBELLINA:

wurden bei AQM ausgeführt: 

Lösung: entionisiertes Wasser + NaCl RPE 99,5% (Konzentration 50g/l).

Neigung des Testexemplars in der Kammer: 30° .

Testtemperatur: 35°C

Ph der Testlösung: 6,9.

Gesamttestzeit: 2000 Stunden (mit systematischen Sichtkontrollen und entsprechender Zwischendokumentation des Oberflächenzustandes der Verschraubungen).

Der Prüfbericht Nr. 2010 - 1485/PC-2 zu den 2000 Teststunden kann von unserer Homepage heruntergeladen werden.

GENERALITE: Les raccords remplissent séparément la fonction d'étanchéité et celle d'ancrage des canalisations de liaison, en rétablissant la continuité structurelle afin de garantir l'anti-dévisage de l'écrou du corps et l'anti-déboîtement du tube du raccord.

Vous trouverez ci-après les essais conduits conformément aux SPECIFICATIONS FERROVIAIRES RELATIVES AUX RACCORDS DE CLASSE « A ».

ECHANTILLONS EXAMINES:

- Raccord droit pour tube en cuivre \varnothing 25 épaisseur 2 mm
- Raccord droit pour tube en acier inoxydable \varnothing 3/8" épaisseur 1,5 mm
- Tronçon de tube d'une longueur de 150 mm avec \varnothing 25 en cuivre et \varnothing 3/8" en acier inoxydable
- Raccord avec emboîtement simple femelle et son bouchon d'obturation
- Collier de sécurité \varnothing 25
- Collier de sécurité \varnothing 3/8"

• 1 - ESSAI D'EFFILOCHAGE EN TRACTION:

Charge relevée au moment du début du déboîtement du raccord:

- Tube en inox \varnothing 3/8" x 1,5 mm : 6300 N avec couple de serrage 50 Nm
- Tube en cuivre \varnothing 25 x 2 mm : 13600 N avec couple de serrage 80 Nm

• 1b - ESSAI D'EFFILOCHAGE EN TRACTION avec « Collier de sécurité RTAU® » :

Charge relevée au moment du début du déboîtement du raccord:

- Tube en inox \varnothing 3/8" x 1,5 mm : 7200 N avec couple de serrage 50 Nm (5 Nm pour les vis du collier)
- Tube en cuivre \varnothing 25 x 2 mm : 15400 N avec couple de serrage 80 Nm (5 Nm pour les vis du collier)

• 2 - ESSAI D'EFFILOCHAGE EN PRESSION HYDRAULIQUE :

Le circuit est alimenté en augmentant progressivement la pression hydraulique. La vérification a été réalisée avec la fermeture de l'écrou, pour les couples indiqués dans le tableau 2 (page 2).

Les pressions d'essai utilisées ont été supérieures de 30 % à celles indiquées dans le tableau 1 (page 2).

• 3 - ESSAI D'ETANCHEITE :

Après avoir alimenté les échantillons examinés aux pressions reportées dans le tableau 1 (page 2), et attendu 10 minutes, nous n'avons pas constaté de variation de pression par rapport à celle initiale.

• 4 - ESSAI DE RESISTANCE EN OSCILLATION DE PRESSION :

106 cycles ont été réalisés avec une fréquence d'oscillation de 2 secondes, de 0 à 55 bars. Essai réalisé sur raccord droit \varnothing 25 avec tube en cuivre avec et sans collier de sécurité.

• 5 - ESSAI DE RESISTANCE AUX EFFETS COMBINES DE LA PRESSION ET DES PHENOMENES VIBRATOIRES :

Les échantillons de raccords droits \varnothing 25 avec tube en cuivre avec et sans collier de sécurité ont été alimentés à une pression constante de 55 bars avec huile SAE10, dans les conditions suivantes:

- Fréquences aléatoires de 20 à 200 Hz
- Accélération jusqu'à 10 g
- Durée de l'essai : 10 heures
- Température ambiante

• 6 - ESSAI DE RESISTANCE AUX VARIATIONS THERMIQUES :

Les échantillons examinés, alimentés à la pression pneumatique de 10 bars, ont subi 10 cycles thermiques avec des alternances de températures allant de -40°C à +140°C. Avant chaque alternance, un temps de stabilisation de huit heures a été respecté.

REMARQUE: Les essais 4 et 5 ont été réalisés sur les mêmes échantillons.

Le rapport d'essai N° VIBR 10_083 de la société TÜV Italia s.r.l. est téléchargeable sur notre site.

ESSAI EN BROUILLARD SALIN

Réalisés dans les services techniques d'AQM (Centre italien de services techniques aux entreprises) :



Solution: Eau déionisée + NaCl RPE 99,5% (concentration 50 g/l).

Inclinaison de l'échantillon en chambre: 30°C

Température d'essai: 35°C

Ph de la solution d'essai: 6.9

Durée totale d'exposition: 2000 heures (avec contrôles visuels systématiques et documentation intermédiaire correspondante de l'état superficiel des raccords).

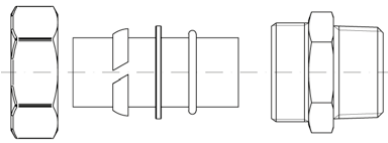
Le rapport d'essai N° 2010 - 1485/PC-2 concernant l'essai d'une durée de 2000 heures est téléchargeable sur notre site.

PREPARAZIONE DEI TUBI E DEI RACCORDI - PREPARATION OF PIPES AND PIPE FITTINGS

Preparare il tubo tagliando l'estremità a 90°, eliminando le bave che potrebbero danneggiare l'anello di tenuta O-R. (sm. max 0.2 x 45°). Evitare tagli inclinati. Il tratto finale del tubo dove avverrà l'accoppiamento col raccordo non deve presentare ovalizzazioni o danni.
È importante controllare che il raccordo ed il tubo siano puliti.

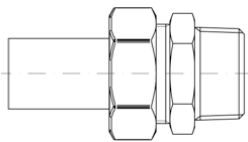
Prepare the pipe by cutting its end at 90° and removing the burrs which may damage the O-ring (max chamfer 0.2x45°). Avoid slanted cuts. The final part of the pipe to be connected to the pipe fitting should not present ovalizations or damages. Always make sure that the pipe fitting and the pipe are clean.

ISTRUZIONI DI MONTAGGIO - ASSEMBLY INSTRUCTIONS



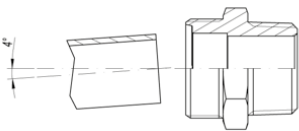
Infilare sul tubo, con orientamento corretto, prima del dado .SDA, quindi l'anello conico .SAC, la rondella .SPR e l'O-R .SOR. Inserire il tubo con tutti i componenti nell'apposito vano sul corpo del raccordo fino a battuta. Per i raccordi sprovvisti di battuta, si consiglia di inserire il tubo per un tratto di almeno 15 mm.

First install the .SDA nut on the pipe in the correct direction then fit the .SAC conical ring and finally the .SPR washer and the .SOR O-R. Insert all the way the pipe with its components into the proper seat on the pipe fitting body. For pipe fittings without a stop, we recommend to insert the pipe for at least 15 mm.



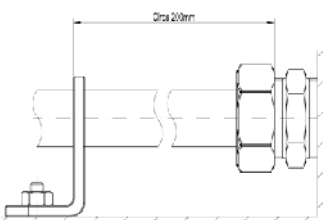
Con il tubo in posizione, fare scorrere l'O-R .SOR fino alla sede. La rondella .SPR dovrà appoggiare sull'O-R .SOR. Dopo aver fatto scorrere anche l'anello conico .SAC iniziare l'avvitamento del dado .SDA. SERRARE IL DADO SECONDO I VALORI DI COPPIA CONSIGLIATI (Tab. pag. 6).

Hold the pipe in place and let the .SOR O-ring slide till it is flush to the seat. The .SPR washer should rest on the .SOR O-R. After sliding also the .SAC conical ring, tighten the .SDA. TIGHTEN THE NUT WITH THE RECOMMENDED TORQUE VALUES (table at page 6).



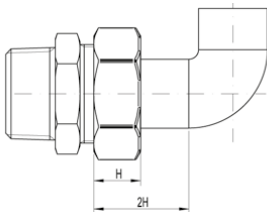
Prima della messa in opera verificare che non ci siano scostamenti assiali superiori al $\pm 4^\circ$.

Before putting into service make sure there are no axial deviations exceeding $\pm 4^\circ$.



Prevedere degli staffaggi sui tubi in prossimità dei raccordi, specialmente con tubazioni lunghe. Si consiglia lo staffaggio a circa 200 mm dal raccordo.

Make sure to install clamps on the pipes near the unions, especially in case of long pipings. We recommend to install the clamps at about 200 mm from the pipe fitting.



Per tubazioni piegate in prossimità della connessione con i dadi dei raccordi, lasciare un tratto rettilineo tra estremità e curva di lunghezza pari ad almeno due volte l'altezza del dado .SDA.

For pipes bent close to the connection with the union nuts, leave a straight segment between the pipe end and the elbow which is at least twice the height of the .SDA nut.

ISTRUZIONI DI MONTAGGIO - ASSEMBLY INSTRUCTIONS

Le filettature coniche non garantiscono la tenuta ermetica. Per ottenere una tenuta ermetica, a prova di perdite, sono necessari elementi di tenuta supplementari quali i nastri di PTFE o le paste sigillanti tipo "Loctite".

DIMENSIONI: Le quote riportate nelle tabelle del catalogo sono soltanto indicative.

The conical threads do not ensure a hermetic sealing. In order to obtain a leak-proof hermetic sealing, use additional sealing products such as PTFE tape or "Loctite" sealing paste.

DIMENSIONS: The quotations of the catalogue tables are given only for reference.

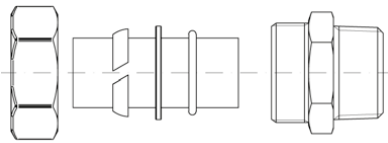
VORBEREITUNG DER ROHRE UND VERSCHRAUBUNGEN - PREPARATION DES TUBES ET DES RACCORDS

Vorbereiten des Rohres durch Abschneiden des Endstückes bei 90°, Grate entfernen, die den Dichtungsring O-R beschädigen könnten (sm. max. 0,2 x 45°). Neigungsschnitte vermeiden. Das Endteil des Rohres, an dem die Verbindung mit der Verschraubung erfolgt, darf keine Unrundheiten oder Beschädigungen aufweisen. ES ist wichtig, dass Verschraubung und Rohr sauber sind.

Préparez le tube en coupant l'extrémité à 90°. Éliminez les bavures qui pourraient endommager le joint torique (polissage max 0,2 x 45°). Éviter les découpes inclinées. La partie finale du tube où sera pratiquée la liaison avec le raccord ne doit pas présenter d'ovalisation ou de dommages.

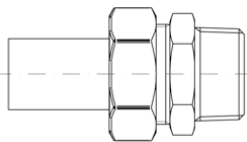
Assurez-vous impérativement que le raccord et le tube sont propres.

MONTAGEANWEISUNGEN - INSTRUCTIONS DE MONTAGE



Vor Einsetzen der Mutter SDA mit der entsprechenden Ausrichtung den konischen Ring SAC und die Unterlegscheibe SPR und den O-R SOR auf das Rohr setzen. Das Rohr mit allen Komponenten in die entsprechende Aufnahme bis zum Anschlag in das Gehäuse der Verschraubung einsetzen. Für Verschraubungen ohne Anschlag wird empfohlen, das Rohr mindestens 15 mm tief einzuführen.

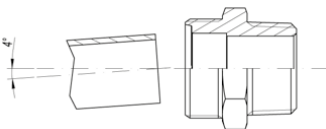
Enfiler sur le tube, avec une orientation correcte, d'abord l'écrou .SDA, ensuite la bague conique .SAC, la rondelle .SPR et le joint torique .SOR. Insérer le tube avec l'ensemble des composants dans le logement prévu à cet effet sur le corps du raccord jusqu'à la butée. Pour les raccords dépourvus de butée, nous conseillons d'insérer le tube d'au moins 15 mm.



Mit dem in Position befindlichen Rohr den O-R SOR bis zur Aufnahmestelle gleiten lassen. Die Unterlegscheibe SPR muss auf dem O-R SOR aufliegen. Nach Gleitenlassen des konischen Rings SAC mit dem Verschrauben der Mutter SDA beginnen.

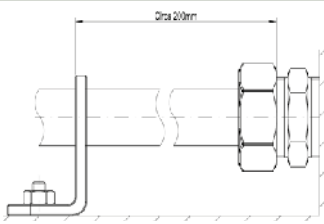
DIE MUTTER NACH DEN EMPFOHLENE SPANNMOMENTEN FESTZIEHEN (Tab. S. 6)

Une fois le tube en position, faites glisser le joint torique .SOR jusqu'à son logement. La rondelle .SPR devra s'appuyer sur le joint torique .SOR. Après avoir fait glisser aussi la bague conique .SAC, commencez le vissage de l'écrou .SDA. SERRER L'ECROU SELON LES VALEURS DE COUPLE CONSEILLEES (Tableau page 6).



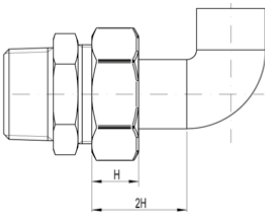
Vor Inbetriebnahme sicherstellen, dass keine Achsverschiebungen über $\pm 4^\circ$ vorliegen.

Avant la mise en service, vérifier qu'il n'y a pas d'écartements axiaux supérieurs à $\pm 4^\circ$.



An den Verschraubungen Verklammerungen vornehmen, vor allen Dingen bei langen Rohrleitungen. Die Verklammerung wird ca. 200 mm von der Verschraubung entfernt empfohlen.

Prévoir des fixations sur les tubes à proximité des raccords, surtout avec des longues canalisations. Nous conseillons de poser des fixations à environ 200 mm du raccord.



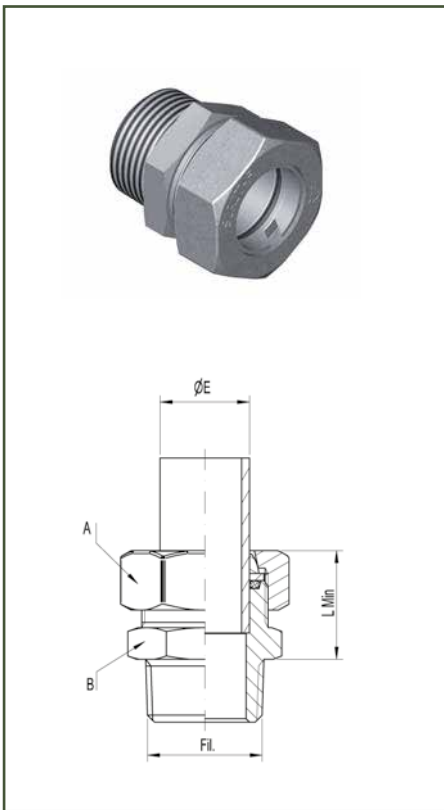
Für Rohrleitungen, die Biegungen am Verbindungspunkt mit den Muttern der Verschraubungen aufweisen, eine gerade Linie zwischen Ende und Biegung freilassen, die mindestens zwei Mal so lang ist wie die SDA Mutter.

Pour des canalisations en coude situées à proximité de la connexion avec les écrous des raccords, veuillez laisser une partie rectiligne entre l'extrémité et la courbe d'une longueur égale à au moins deux fois la hauteur de l'écrou .SDA.

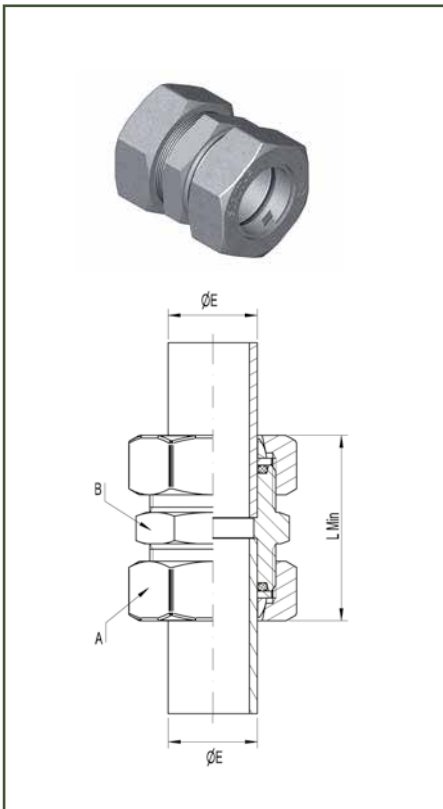
MONTAGEANWEISUNGEN - INSTRUCTIONS DE MONTAGE

Die konischen Gewinde garantieren keine hermetische Dichtheit. Um hermetische Dichtheit zu erhalten, die auch Lecks standhält, sind zusätzliche Dichtungselemente notwendig, wie z. B. PTFE-Bänder oder Versiegelungspasten vom Typ "Loctite". GRÖSSENANGABEN: Die in den Tabellen dieses Katalogs aufgeführten Angaben dienen der Information.

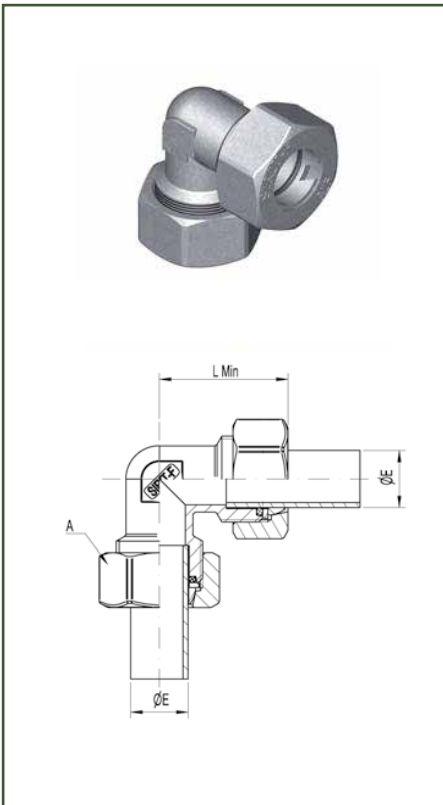
Les filetages coniques ne garantissent pas l'étanchéité. Pour obtenir une étanchéité, sans fuites, des éléments d'étanchéité supplémentaires sont nécessaires tels que les lames d'étanchéité en PTFE ou des produits d'étanchéité de type "Loctite". INSTRUCTIONS DI DIMENSIONS : Les cotes reportées dans les tableaux du catalogue sont purement indicatives.



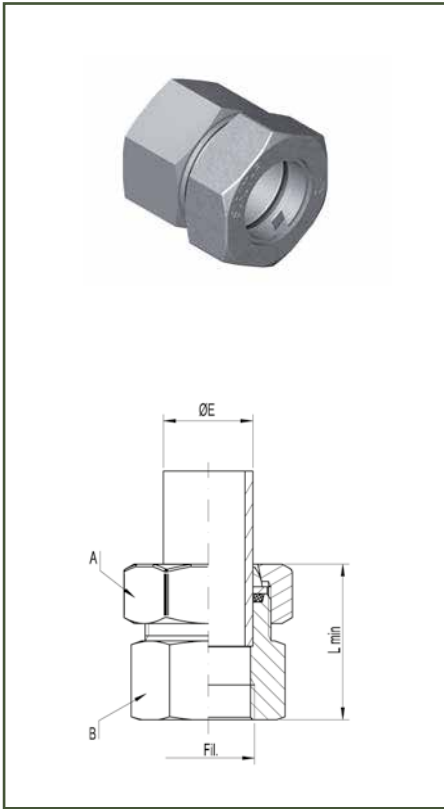
Ø E	Fil.	LMin	ChA	ChB	Codice
6	1/8"	33	18	16	.SRM 06 10
6	1/4"	35	18	16	.SRM 06 13
6	3/8"	35	18	18	.SRM 06 17
6	1/2"	36	18	22	.SRM 06 21
8	1/8"	34,5	19	17	.SRM 08 10
8	1/4"	36	19	17	.SRM 08 13
8	3/8"	36	19	18	.SRM 08 17
8	1/2"	37	19	22	.SRM 08 21
10	1/8"	35,5	21	19	.SRM 10 10
10	1/4"	36,5	21	19	.SRM 10 13
10	3/8"	36,5	21	19	.SRM 10 17
10	1/2"	38	21	22	.SRM 10 21
12	1/2"	39,5	25	22	.SRM 12 21
12	3/4"	43	25	28	.SRM 12 27
14	1/4"	40,5	27	24	.SRM 14 13
14	3/8"	41,5	27	24	.SRM 14 17
14	1/2"	41,5	27	24	.SRM 14 21
14	3/4"	45	27	28	.SRM 14 27
15	1/2"	39	27	25	.SRM 15 21
15	3/4"	41,5	27	28	.SRM 15 27
16	1/2"	39,5	29	27	.SRM 16 21
16	3/4"	41	29	28	.SRM 16 27
16	1"	44	29	34	.SRM 16 34
18	3/8"	41	31	28	.SRM 18 17
18	1/2"	41,5	31	28	.SRM 18 21
18	3/4"	44,5	31	28	.SRM 18 27
18	1"	48	31	34	.SRM 18 34
20	1/2"	43,5	33	30	.SRM 20 21
20	3/4"	43	33	30	.SRM 20 27
20	1"	47	33	34	.SRM 20 34
22	1/2"	42	37	34	.SRM 22 21
22	3/4"	45	37	34	.SRM 22 27
22	1"	48	37	34	.SRM 22 34
25	3/4"	46	42	38	.SRM 25 27
25	1"	48	42	38	.SRM 25 34
28	3/4"	47	43	40	.SRM 28 27
28	1"	50	43	40	.SRM 28 34
30	3/4"	47	47	44	.SRM 30 27
30	1"	50	47	44	.SRM 30 34
32	1"	52	50	45	.SRM 32 34
35	1"	51,5	52	47	.SRM 35 34
35	1 1/4"	52	52	48	.SRM 35 42
38	1 1/4"	53,5	54	50	.SRM 38 42
42	1 1/4"	54	64	60	.SRM 42 42
45	1 1/2"	58,5	69	65	.SRM 45 49
50	1 1/2"	58	72	70	.SRM 50 49
50	2"	58	72	70	.SRM 50 48
54	2"	60,5	75	70	.SRM 54 48
1/4"	1/4"	38	27	24	.SRM 56 13
3/8"	1/4"	39,5	30	27	.SRM 60 13
3/8"	3/8"	39,5	30	27	.SRM 60 17
3/8"	1/2"	40	30	27	.SRM 60 21
1/2"	1/2"	42	37	34	.SRM 62 21
1/2"	3/4"	43	37	34	.SRM 62 27
3/4"	3/4"	45	43	40	.SRM 69 27
1"	3/4"	40	52	48	.SRM 90 27
1"	1"	52	52	48	.SRM 90 34
1 1/4"	1 1/4"	53	64	60	.SRM 93 42
1 1/2"	1 1/2"	57	69	65	.SRM 97 49
2"	2"	61	82	80	.SRM 95 48



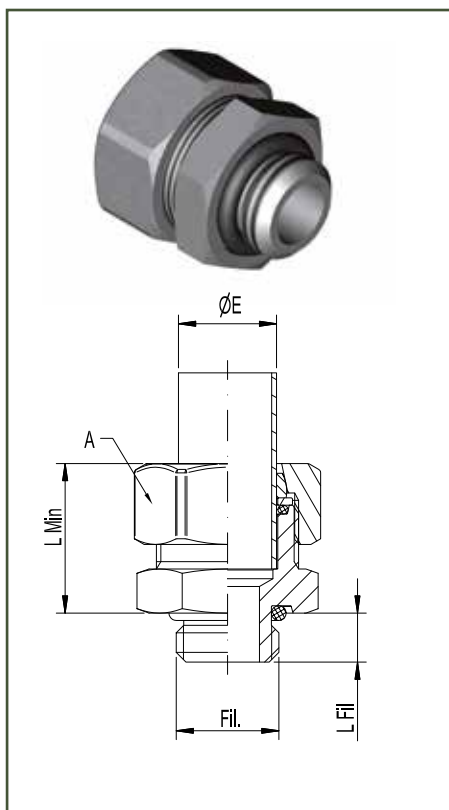
Ø E	Ø E	LMin	ChA	ChB	Codice
6	6	40	18	15	.SRI 06 00
8	8	42	19	17	.SRI 08 00
10	10	43,5	21	19	.SRI 10 00
12	12	46	25	22	.SRI 12 00
14	14	46	27	24	.SRI 14 00
15	15	47,5	27	25	.SRI 15 00
16	16	48	29	26	.SRI 16 00
18	18	51	31	28	.SRI 18 00
20	20	50	33	30	.SRI 20 00
22	22	48	37	34	.SRI 22 00
25	25	50	42	38	.SRI 25 00
28	28	51,5	43	40	.SRI 28 00
30	30	53,5	47	45	.SRI 30 00
32	32	53,5	50	45	.SRI 32 00
35	35	58	52	47	.SRI 35 00
38	38	58	54	50	.SRI 38 00
42	42	61	64	60	.SRI 42 00
45	45	61	69	65	.SRI 45 00
50	50	62	70	70	.SRI 50 00
54	54	78,5	75	70	.SRI 54 00
<hr/>					
1/4"	1/4"	45	28	24	.SRI 56 00
3/8"	3/8"	45	30	27	.SRI 60 00
1/2"	1/2"	50	37	34	.SRI 62 00
3/4"	3/4"	52	43	40	.SRI 69 00
1"	1"	58	52	47	.SRI 90 00
1 1/4"	1 1/4"	60	64	60	.SRI 93 00
1 1/2"	1 1/2"	66	70	65	.SRI 97 00
2"	2"	80	82	80	.SRI 95 00



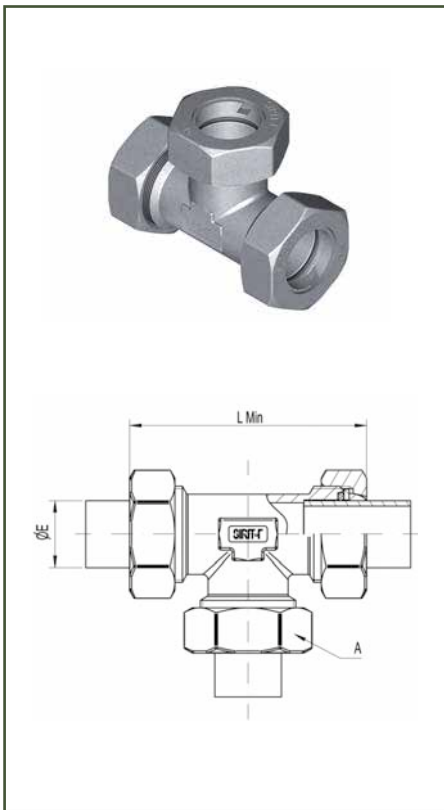
Ø E	Ø E	LMin	ChA	Codice
6	6	29	18	.SGI 06 00
8	8	31	19	.SGI 08 00
10	10	32,5	21	.SGI 10 00
12	12	36	25	.SGI 12 00
14	14	38	27	.SGI 14 00
15	15	35	27	.SGI 15 00
16	16	37,5	29	.SGI 16 00
18	18	40	31	.SGI 18 00
20	20	40	33	.SGI 20 00
22	22	41	37	.SGI 22 00
25	25	43	42	.SGI 25 00
28	28	43	43	.SGI 28 00
30	30	50	47	.SGI 30 00
32	32	51	50	.SGI 32 00
35	35	52	52	.SGI 35 00
38	38	57,5	54	.SGI 38 00
42	42	58	64	.SGI 42 00
45	45	63,5	69	.SGI 45 00
50	50	62	75	.SGI 50 00
54	54	70	75	.SGI 54 00
<hr/>				
1/4"	1/4"	36	27	.SGI 56 00
3/8"	3/8"	38	30	.SGI 60 00
1/2"	1/2"	38	37	.SGI 62 00
3/4"	3/4"	43	43	.SGI 69 00
1"	1"	43	52	.SGI 90 00
1 1/4"	1 1/4"	57	64	.SGI 93 00
1 1/2"	1 1/2"	62	69	.SGI 97 00
2"	2"	71	82	.SGI 95 00



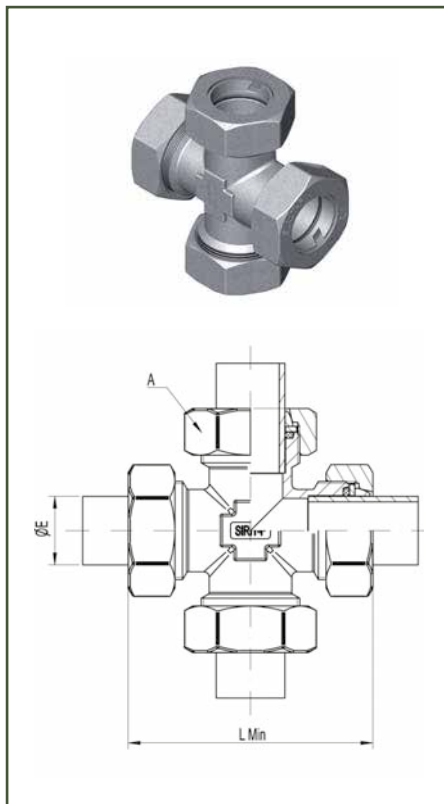
Ø E	Fil.	LMin	ChA	ChB	Codice
6	1/8"	30	18	15	.SRF 06 10
6	1/4"	31	18	20	.SRF 06 13
8	1/4"	31,5	19	20	.SRF 08 13
8	3/8"	33	19	24	.SRF 08 17
8	1/2"	33	19	28	.SRF 08 21
10	1/4"	33	21	20	.SRF 10 13
10	3/8"	34,5	21	24	.SRF 10 17
10	1/2"	34	21	28	.SRF 10 21
12	3/8"	33	25	24	.SRF 12 17
12	1/2"	34,5	25	28	.SRF 12 21
12	3/4"	40	25	36	.SRF 12 27
14	1/4"	32	27	24	.SRF 14 13
14	3/8"	33,5	27	24	.SRF 14 17
14	1/2"	35	27	28	.SRF14 21
14	3/4"	35,5	27	36	.SRF 14 27
15	3/4"	37,5	27	36	.SRF 15 27
16	3/8"	35	29	26	.SRF 16 17
16	1/2"	35,5	29	28	.SRF 16 21
16	3/4"	37,5	29	36	.SRF 16 27
18	3/8"	34,5	31	28	.SRF 18 17
18	1/2"	37	31	28	.SRF 18 21
18	3/4"	38	31	36	.SRF 18 27
18	1"	40	31	42	.SRF 18 34
20	1/2"	35	33	30	.SRF 20 21
20	3/4"	38,5	33	36	.SRF 20 27
20	1"	40	33	42	.SRF 20 34
20	1/2"	35	37	34	.SRF 22 21
22	3/4"	38	37	36	.SRF 22 27
22	1"	41,5	37	42	.SRF 22 34
25	3/4"	38,5	42	38	.SRF 25 27
25	1"	43	42	42	.SRF 25 34
25	3/4"	39	43	40	.SRF 28 27
28	1"	45,5	43	42	.SRF 28 34
30	1"	42,5	47	48	.SRF 30 34
30	1 1/4"	43,5	47	52	.SRF 30 42
32	1"	42,5	50	45	.SRF 32 34
32	1 1/4"	44	50	50	.SRF 32 42
35	1"	43,5	52	47	.SRF 35 34
35	1 1/4"	43,5	52	50	.SRF 35 42
38	1 1/4"	47	54	50	.SRF 38 42
42	1 1/4"	47	64	60	.SRF 42 42
42	1 1/2"	48	64	65	.SRF 42 49
45	1 1/2"	48	69	65	.SRF 45 49
50	1 1/2"	48	72	70	.SRF 50 49
54	1 1/2"	51,5	75	70	.SRF 54 49
54	2"	54	75	70	.SRF 54 48
<hr/>					
1/4"	1/4"	33,5	27	24	.SRF 56 13
3/8"	3/8"	33,5	30	27	.SRF 6017
1/2"	1/2"	35,5	37	34	.SRF 62 21
3/4"	3/4"	37	43	40	.SRF 69 27
1"	1"	43,5	52	47	.SRF 90 34
1 1/4"	1 1/4"	46	64	60	.SRF 93 42
1 1/2"	1 1/2"	48	69	65	.SRF 97 49
2"	2"	53	82	80	.SRF 95 48



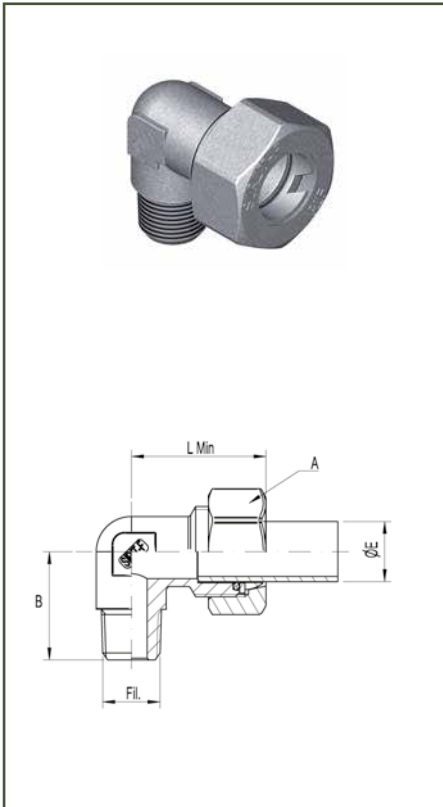
Ø E	Fil.	LMin	ChA	L.Fil.	Codice
6	1/8"	33	18	6	SRO 06 10
6	1/4"	35	18	8	SRO 06 13
6	3/8"	35	18	8	SRO 06 17
6	1/2"	36	18	10	SRO 06 21
8	1/8"	34,5	19	6	SRO 08 10
8	1/4"	36	19	8	SRO 08 13
8	3/8"	36	19	8	SRO 08 17
8	1/2"	37	21	10	SRO 10 21
10	1/4"	35,5	21	8	SRO 10 13
10	3/8"	36,5	21	8	SRO 10 17
10	1/2"	36,5	21	10	SRO 10 21
10	3/4"	38	25	14	SRO 12 27
12	1/2"	39,5	25	10	SRO 12 21
12	3/4"	43	27	14	SRO 14 27
14	1/4"	40,5	27	8	SRO 14 13
14	3/8"	41,5	27	8	SRO 14 17
14	1/2"	41,5	27	10	SRO 14 21
14	3/4"	45	27	14	SRO 14 27
15	1/2"	39	27	10	SRO 15 21
15	3/4"	41,5	27	14	SRO 15 27
16	1/2"	39,5	29	10	SRO 16 21
16	3/4"	41	29	14	SRO 16 27
16	1"	44	29	14	SRO 16 34
18	3/8"	41	31	8	SRO 18 17
18	1/2"	41,5	31	10	SRO 18 21
18	3/4"	44,5	31	14	SRO 18 27
18	1"	48	31	14	SRO 18 34
20	1/2"	43,5	33	10	SRO 20 21
20	3/4"	43	33	14	SRO 20 27
20	1"	47	33	14	SRO 20 34
22	1/2"	42	37	10	SRO 22 21
22	3/4"	45	37	14	SRO 22 27
22	1"	48	37	14	SRO 22 34
25	3/4"	46	42	14	SRO 25 27
25	1"	48	42	14	SRO 25 34
28	3/4"	47	43	14	SRO 28 27
28	1"	50	43	14	SRO 28 34
30	3/4"	47	47	14	SRO 30 27
30	1"	50	47	14	SRO 30 34
32	1"	52	50	14	SRO 32 34
35	1"	51,5	52	14	SRO 35 34
35	1 1/4"	52	52	16	SRO 35 42
38	1 1/4"	53,5	54	16	SRO 38 42
42	1 1/4"	54	64	16	SRO 42 42
45	1 1/2"	58,5	69	16	SRO 45 49
50	1 1/2"	58	72	16	SRO 50 49
50	2"	58	72	18	SRO 50 48
54	2"	60,5	75	18	SRO 54 48
<hr/>					
3/8"	3/8"	33,5	30	27	.SRO 6017
1/2"	1/2"	35,5	37	34	.SRO 62 21
3/4"	3/4"	37	43	40	.SRO 69 27
1"	1"	43,5	52	47	.SRO 90 34
1 1/4"	1 1/4"	46	64	60	.SRO 93 42
1 1/2"	1 1/2"	48	69	65	.SRO 97 49
2"	2"	53	82	80	.SRO 95 48



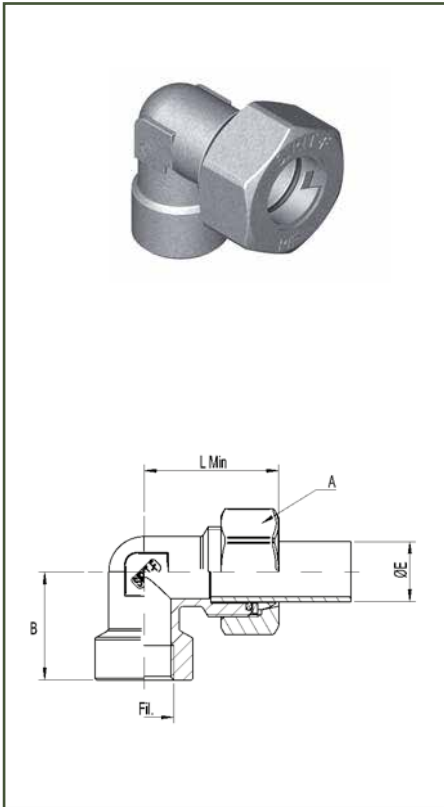
Ø E	L Min	Ch _A	Codice
6	57	18	.STI 06 00
8	61	19	.STI 08 00
10	63	21	.STI 10 00
12	74	25	.STI 12 00
14	74	27	.STI 14 00
15	73	27	.STI 15 00
16	75	29	.STI 16 00
18	77	31	.STI 18 00
20	78	33	.STI 20 00
22	80	37	.STI 22 00
25	88	42	.STI 25 00
28	87	43	.STI 28 00
30	102	47	.STI 30 00
32	102	50	.STI 32 00
35	103	52	.STI 35 00
38	118	54	.STI 38 00
42	118	64	.STI 42 00
45	126	69	.STI 45 00
50	128	72	.STI 50 00
54	130	75	.STI 54 00
<hr/>			
1/4"	71	27	.STI 56 00
3/8"	75	30	.STI 60 00
1/2"	76	37	.STI 62 00
3/4"	85	43	.STI 69 00
1"	102	52	.STI 90 00
1 1/4"	115	64	.STI 93 00
1 1/2"	120	69	.STI 97 00
2"	145	82	.STI 95 00



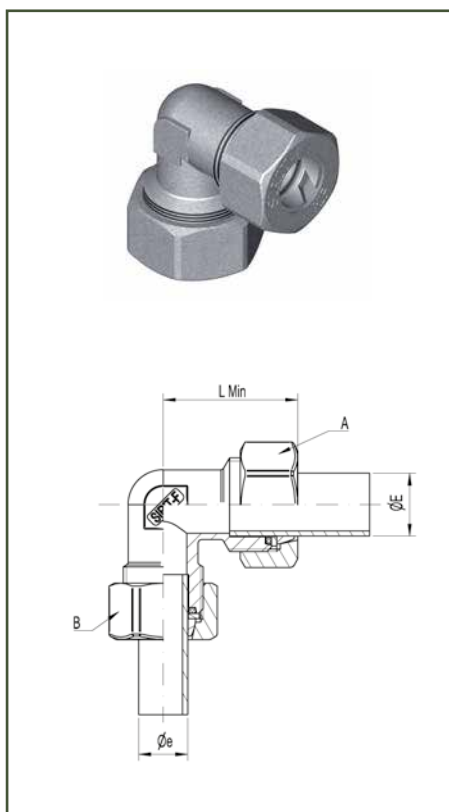
Ø E	L Min	Ch _A	Codice
6	57	18	.SCR 06 00
8	61	19	.SCR 08 00
10	63	21	.SCR 10 00
12	74	25	.SCR 12 00
14	74	27	.SCR 14 00
15	73	27	.SCR 15 00
16	75	29	.SCR 16 00
18	77	31	.SCR 18 00
20	78	33	.SCR 20 00
22	80	37	.SCR 22 00
25	88	42	.SCR 25 00
28	87	43	.SCR 28 00
30	102	47	.SCR 30 00
32	102	50	.SCR 32 00
35	103	52	.SCR 35 00
38	118	54	.SCR 38 00
42	118	64	.SCR 42 00
45	126	69	.SCR 45 00
50	105	72	.SCR 50 00
54	130	75	.SCR 54 00
<hr/>			
1/4"	71	27	.SCR 56 00
3/8"	75	30	.SCR 60 00
1/2"	76	37	.SCR 62 00
3/4"	85	43	.SCR 69 00
1"	102	52	.SCR 90 00
1 1/4"	115	64	.SCR 93 00
1 1/2"	120	69	.SCR 97 00
2"	145	82	.SCR 95 00



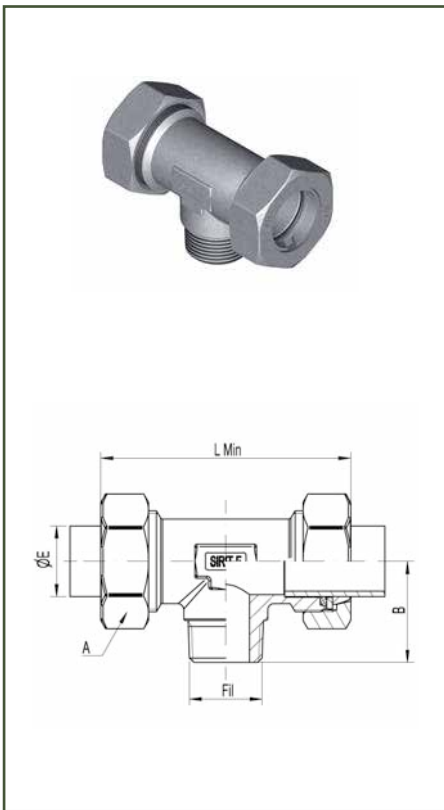
Ø E	Fil.	LMin	ChA	B	Codice
6	1/8"	29	18	21,5	.SGM 06 10
6	1/4"	30	18	23,5	.SGM 06 13
8	1/4"	31	19	25,5	.SGM 08 13
8	3/8"	31	19	25,5	.SGM 08 17
10	1/4"	33	21	24	.SGM 10 13
10	3/8"	33	21	25	.SGM 10 17
10	1/2"	34	21	30,5	.SGM 10 21
12	1/4"	35	25	28,5	.SGM 12 13
12	3/8"	35	25	27	.SGM 12 17
12	1/2"	35	25	29	.SGM 12 21
12	3/4"	37	25	32,5	.SGM 12 27
14	1/4"	39	27	27,5	.SGM 14 13
14	3/8"	39	27	27,5	.SGM 14 17
14	1/2"	39	27	30	.SGM 14 21
14	3/4"	39	27	33	.SGM 14 27
15	3/8"	37	27	27,5	.SGM 15 17
15	1/2"	37	27	30,5	.SGM 15 21
16	3/8"	38	29	28	.SGM 16 17
16	1/2"	38	29	29	.SGM 16 21
16	3/4"	38	29	32,5	.SGM 16 27
18	3/8"	40	31	26,5	.SGM 18 17
18	1/2"	40	31	29	.SGM 18 21
18	3/4"	40	31	32,5	.SGM 18 27
18	1"	41	31	41	.SGM 18 34
20	1/2"	39	33	33	.SGM 20 21
20	3/4"	39	33	35,5	.SGM 20 27
20	1"	39	33	40	.SGM 20 34
22	3/4"	40	37	35	.SGM 22 27
22	1"	40	37	38,5	.SGM 22 34
25	3/4"	44	42	36	.SGM 25 27
25	1"	44	42	38	.SGM 25 34
28	3/4"	44	43	36	.SGM 28 27
28	1"	44	43	38,5	.SGM 28 34
30	3/4"	50	47	44	.SGM 30 27
30	1"	50	47	47,5	.SGM 30 34
32	1"	53	50	46	.SGM 32 34
35	1 1/4"	53	52	48,5	.SGM 35 42
38	1 1/4"	60	54	51,5	.SGM 38 42
<hr/>					
1/4"	1/4"	36	27	25,5	.SGM 56 13
3/8"	3/8"	37	30	28	.SGM 60 17
1/2"	1/2"	38	37	33	.SGM 62 21
3/4"	3/4"	42	43	40	.SGM 69 27
1"	1"	43	52	47	.SGM 90 34
1 1/4"	1 1/4"	56	64	51,5	.SGM 93 42
1 1/2"	1 1/2"	62	69	57	.SGM 97 49
2"	2"	70	82	58	.SGM 95 48



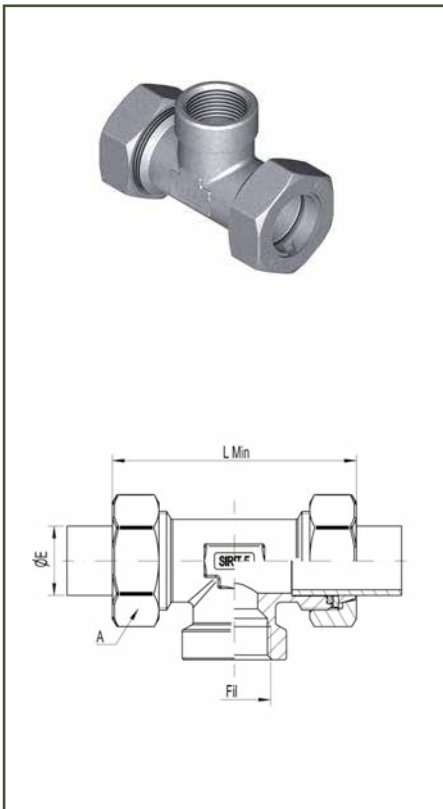
Ø E	Fil.	L Min	Ch _A	B	Codice
8	1/4"	34	19	30	.SGF 08 13
8	3/8"	36	19	34	.SGF 08 17
10	1/4"	34	21	30	.SGF 10 13
10	3/8"	36	21	32	.SGF 10 17
10	1/2"	38	21	35	.SGF 10 21
12	3/8"	35	25	33	.SGF 12 17
12	1/2"	39	25	36	.SGF 12 21
14	1/4"	38	27	25	.SGF 14 13
14	3/8"	39	27	32	.SGF 14 17
14	1/2"	40	27	36	.SGF 14 21
14	3/4"	38	27	41	.SGF 14 27
15	3/8"	38	27	33	.SGF 15 17
15	1/2"	39	27	41	.SGF 15 21
16	3/8"	38	29	33	.SGF 16 17
16	1/2"	40	29	41	.SGF 16 21
16	3/4"	39	29	38	.SGF 16 27
18	1/2"	40	31	37	.SGF 18 21
18	3/4"	40	31	41	.SGF 18 27
20	1/2"	40	33	37	.SGF 20 21
20	3/4"	40	33	42	.SGF 20 27
20	1"	42	33	43	.SGF 20 34
22	1/2"	40	37	40	.SGF 22 21
22	3/4"	40	37	40	.SGF 22 27
22	1"	42	37	44	.SGF 22 34
25	3/4"	42	42	44	.SGF 25 27
25	1"	44	42	44	.SGF 25 34
28	3/4"	44	43	44	.SGF 28 27
28	1"	44	43	45	.SGF 28 34
30	3/4"	49	47	45	.SGF 30 27
30	1"	49	47	51	.SGF 30 34
32	1"	50	50	51	.SGF 32 34
35	1"	51	52	51	.SGF 35 34
35	1 1/4"	57	52	57	.SGF 35 42
38	1 1/4"	68	54	58	.SGF 38 42
<hr/>					
1/4"	1/4"	36	27	30	.SGF 56 13
3/8"	3/8"	38	30	32	.SGF 60 17
1/2"	1/2"	39	37	40	.SGF 62 21
3/4"	3/4"	42	43	44	.SGF 69 27
1"	1"	51	52	50	.SGF 90 34
1 1/4"	1 1/4"	57	64	57	.SGF 93 42
1 1/2"	1 1/2"	62	69	55	.SGF 97 49
2"	2"	68	82	58	.SGF 95 48



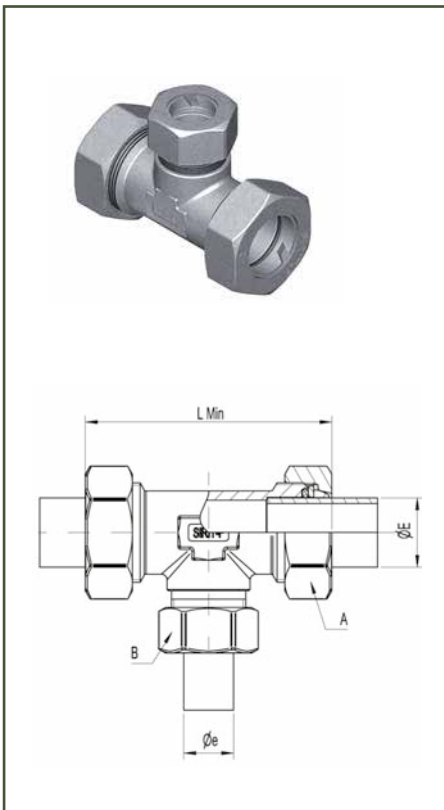
Ø E	Ø e	L Min	ChA	ChB	Codice
8	6	31	19	18	.SGR 08 06
10	8	32	21	19	.SGR 10 08
12	8	35	25	19	.SGR 12 08
12	10	36	25	21	.SGR 12 10
14	8	39	27	19	.SGR 14 08
14	10	39	27	21	.SGR 14 10
14	12	36	27	25	.SGR 14 12
16	12	38	29	25	.SGR 16 12
16	14	39	29	27	.SGR 16 14
18	12	39	31	25	.SGR 18 12
18	14	39	31	27	.SGR 18 14
20	14	42	33	27	.SGR 20 14
20	18	40	33	28	.SGR 20 18
22	18	41	37	31	.SGR 22 18
25	18	43	42	31	.SGR 25 18
25	20	43	42	33	.SGR 25 20
25	22	44	42	37	.SGR 25 22
28	20	42	43	33	.SGR 28 20
28	22	41	43	37	.SGR 28 22
28	25	42	43	42	.SGR 28 25
30	22	48	47	37	.SGR 30 22
30	25	49	47	42	.SGR 30 25
30	28	48	47	43	.SGR 30 28
32	20	49	50	33	.SGR 32 20
32	25	49	50	42	.SGR 32 25
32	30	50	50	47	.SGR 32 30
35	22	51	52	37	.SGR 35 22
35	25	52	52	42	.SGR 35 25
35	28	52	52	43	.SGR 35 28
38	22	53	54	37	.SGR 38 22
38	25	53	54	42	.SGR 38 25
38	30	58	54	47	.SGR 38 30
42	25	56	64	42	.SGR 42 25
42	28	55	64	43	.SGR 42 28
42	30	57	64	47	.SGR 42 30
42	35	57	64	52	.SGR 42 35
42	38	57	64	54	.SGR 42 38
45	30	58	69	47	.SGR 45 30
45	32	58	69	50	.SGR 45 32
45	35	58	69	52	.SGR 45 35
45	38	58	69	54	.SGR 45 38
<hr/>					
3/8"	1/4"	30	30	27	.SGR 60 56
1/2"	1/4"	38	37	27	.SGR 62 56
1/2"	3/8"	38	37	30	.SGR 62 60
3/4"	3/8"	41	43	30	.SGR 69 60
3/4"	1/2"	43	43	37	.SGR 69 62
1"	1/2"	51	52	37	.SGR 90 62
1"	3/4"	52	52	43	.SGR 90 69
1 1/4"	3/4"	57	64	43	.SGR 93 69
1 1/4"	1"	57	64	52	.SGR 93 90
1 1/2"	1"	61	69	52	.SGR 97 90
1 1/2"	1 1/4"	62	69	64	.SGR 97 93
2"	1 1/4"	71	82	64	.SGR 95 93
2"	1 1/2"	71	82	69	.SGR 95 97



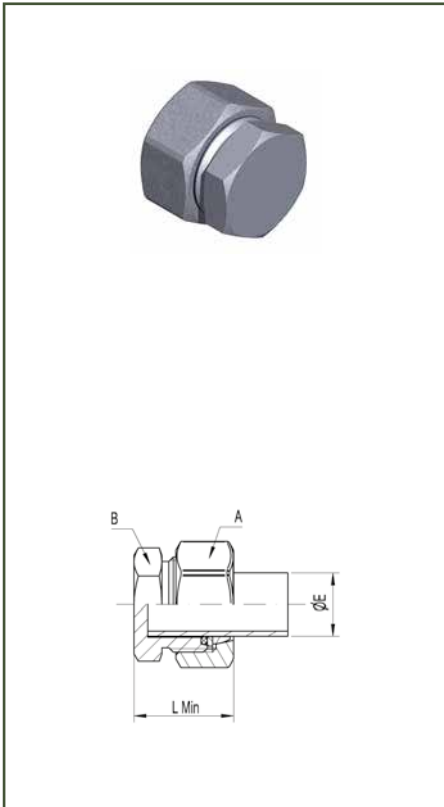
Ø E	Fil.	LMin	Ch _A	B	Codice
8	1/4"	61	19	23	.STM 08 13
8	3/8"	61	19	23	.STM 08 17
10	1/4"	64	21	24	.STM 10 13
10	3/8"	64	21	24	.STM 10 17
10	1/2"	68	21	29	.STM 10 21
12	3/8"	73	25	27	.STM 12 17
12	1/2"	69	25	30	.STM 12 21
14	1/4"	75	27	27	.STM 14 13
14	3/8"	75	27	27	.STM 14 17
14	1/2"	77	27	29	.STM 14 21
14	3/4"	78	27	30	.STM 14 27
15	3/8"	71	27	29	.STM 15 17
15	1/2"	71	27	29	.STM 15 21
16	3/8"	71	29	29	.STM 16 17
16	1/2"	72	29	30	.STM 16 21
16	3/4"	72	29	30	.STM 16 27
18	1/2"	76	31	30	.STM 18 21
18	3/4"	77	31	33	.STM 18 27
20	1/2"	80	33	33	.STM 20 21
20	3/4"	80	33	35	.STM 20 27
22	1/2"	80	37	35	.STM 22 21
22	3/4"	81	37	35	.STM 22 27
25	3/4"	88	42	35	.STM 25 27
25	1"	88	42	35	.STM 25 34
30	1/2"	98	47	36	.STM 30 21
30	3/4"	99	47	38	.STM 30 27
30	1"	99	47	47	.STM 30 34
32	1/2"	99	50	39	.STM 32 21
32	3/4"	100	50	40	.STM 32 27
32	1"	100	50	42	.STM 32 34
35	1/2"	103	52	41	.STM 35 21
35	3/4"	103	52	41	.STM 35 27
35	1"	103	52	42	.STM 35 34
42	1/2"	114	64	45	.STM 42 21
42	3/4"	114	64	47	.STM 42 27
42	1"	114	64	47	.STM 42 34
42	1 1/4"	115	64	50	.STM 42 42
42	1 1/2"	115	64	50	.STM 42 49
45	1/2"	114	69	45	.STM 45 21
45	3/4"	115	69	46	.STM 45 27
45	1"	114	69	46	.STM 45 34
45	1 1/4"	115	69	47	.STM 45 42
45	1 1/2"	115	69	50	.STM 45 49
50	1 1/2"	140	72	52	.STM 50 49
54	2"	143	75	52	.STM 54 48
1/4"	1/4"	73	27	27	.STM 56 13
3/8"	3/8"	74	30	27	.STM 60 17
1/2"	1/2"	78	37	33	.STM 62 21
3/4"	3/4"	84	43	33	.STM 69 27
1"	1"	102	52	41	.STM 90 34
1 1/4"	1 1/4"	116	64	50	.STM 93 42
1 1/2"	1 1/2"	123	69	51	.STM 97 49
2"	2"	143	82	52	.STM 95 48



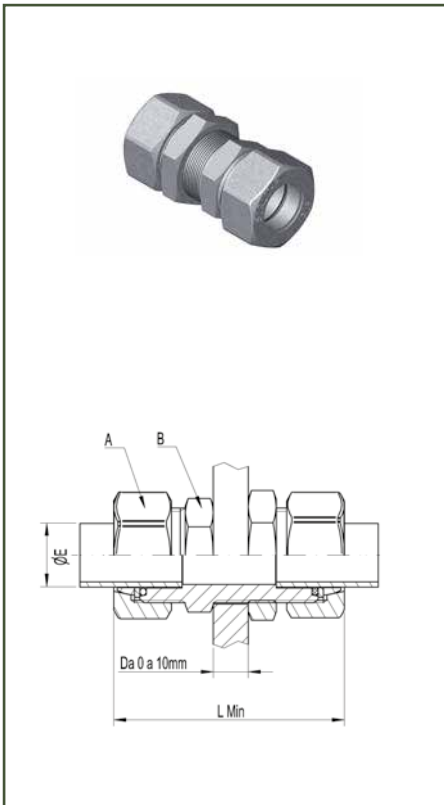
Ø E	Fil.	LMin	ChA	Codice
8	1/4"	67	19	.STF 08 13
8	3/8"	69	19	.STF 08 17
10	1/4"	71	21	.STF 10 13
10	3/8"	70	21	.STF 10 17
10	1/2"	79	21	.STF 10 21
12	3/8"	75	25	.STF 12 17
12	1/2"	78	25	.STF 12 21
14	1/4"	76	27	.STF 14 13
14	3/8"	80	27	.STF 14 17
14	1/2"	80	27	.STF 14 21
14	3/4"	81	27	.STF 14 27
15	3/8"	71	27	.STF 15 17
15	1/2"	77	27	.STF 15 21
16	3/8"	77	29	.STF 16 17
16	1/2"	78	29	.STF 16 21
16	3/4"	78	29	.STF 16 27
18	1/2"	78	31	.STF 18 21
18	3/4"	80	31	.STF 18 27
20	1/2"	78	33	.STF 20 21
20	3/4"	80	33	.STF 20 27
22	1/2"	80	37	.STF 22 21
22	3/4"	83	37	.STF 22 27
25	3/4"	85	42	.STF 25 27
25	1"	86	42	.STF 25 34
30	1/2"	98	47	.STF 30 21
30	3/4"	100	47	.STF 30 27
30	1"	100	47	.STF 30 34
32	1/2"	100	50	.STF 32 21
32	3/4"	102	50	.STF 32 27
32	1"	102	50	.STF 32 34
35	1/2"	103	52	.STF 35 21
35	3/4"	103	52	.STF 35 27
35	1"	103	52	.STF 35 34
42	1/2"	112	64	.STF 42 41
42	3/4"	115	64	.STF 42 27
42	1"	115	64	.STF 42 34
42	1 1/4"	115	64	.STF 42 42
42	1 1/2"	115	64	.STF 42 49
45	1/2"	122	69	.STF 45 21
45	3/4"	122	69	.STF 45 27
45	1"	122	69	.STF 45 34
45	1 1/4"	122	69	.STF 45 42
45	1 1/2"	123	69	.STF 45 49
50	1 1/2"	140	72	.STF 50 49
54	2"	142	75	.STF 54 48
<hr/>				
1/4"	1/4"	71	27	.STF 56 13
3/8"	3/8"	79	30	.STF 60 17
1/2"	1/2"	77	37	.STF 62 21
3/4"	3/4"	85	43	.STF 69 27
1"	1"	103	52	.STF 90 34
1 1/4"	1 1/4"	118	64	.STF 93 42
1 1/2"	1 1/2"	125	69	.STF 97 49
2"	2"	145	82	.STF 95 48



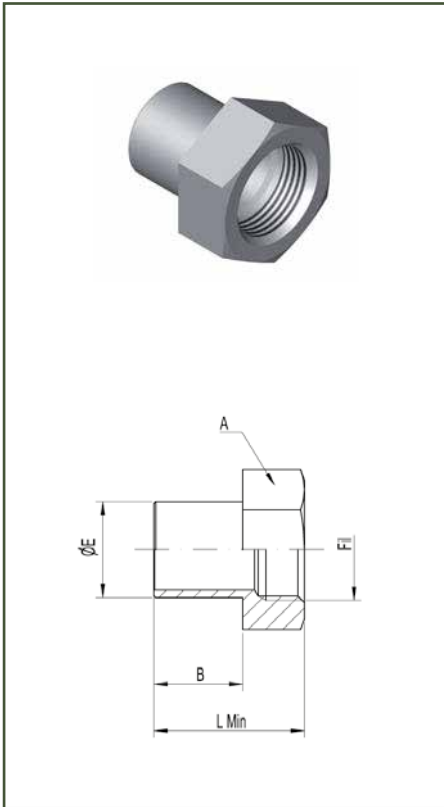
ø E	ø e	LMin	ChA	ChB	Codice
8	6	61	19	19	.STR 08 06
10	8	63	21	21	.STR 10 08
12	8	74	25	21	.STR 12 08
12	10	74	25	24	.STR 12 10
14	8	74	27	21	.STR 14 08
14	10	74	27	24	.STR 14 10
14	12	74	27	25	.STR 14 12
16	12	75	29	25	.STR 16 12
16	14	75	29	28	.STR 16 14
18	12	77	31	25	.STR 18 12
18	14	77	31	28	.STR 18 14
20	14	78	33	28	.STR 20 14
20	18	78	33	32	.STR 20 18
22	18	80	37	32	.STR 22 18
25	18	88	42	32	.STR 25 18
25	20	88	42	33	.STR 25 20
25	22	88	42	37	.STR 25 22
28	20	87	43	33	.STR 28 20
28	22	87	43	37	.STR 28 22
28	25	87	43	42	.STR 28 25
30	22	102	47	37	.STR 30 22
30	25	102	47	42	.STR 30 25
30	28	102	47	43	.STR 30 28
32	20	102	50	33	.STR 32 20
32	25	102	50	42	.STR 32 25
32	30	102	50	48	.STR 32 30
35	22	103	52	37	.STR 35 22
35	25	103	52	42	.STR 35 25
35	28	103	52	43	.STR 35 28
38	22	118	54	37	.STR 38 22
38	25	118	54	42	.STR 38 25
38	30	118	54	48	.STR 38 30
42	25	118	64	42	.STR 42 25
42	28	118	64	43	.STR 42 28
42	30	118	64	48	.STR 42 30
42	35	118	64	52	.STR 42 35
42	38	118	64	54	.STR 42 38
45	30	126	69	48	.STR 45 30
45	32	126	69	50	.STR 45 32
45	35	126	69	52	.STR 45 35
45	38	126	69	54	.STR 45 38
50	35	128	72	52	.STR 50 35
50	38	128	72	54	.STR 50 38
50	42	128	72	64	.STR 50 42
54	35	130	75	52	.STR 54 35
54	38	130	75	54	.STR 54 38
<hr/>					
3/8"	1/4"	74	30	28	.STR 60 56
1/2"	1/4"	78	37	28	.STR 62 56
1/2"	3/8"	78	37	30	.STR 62 60
3/4"	3/8"	85	43	30	.STR 69 60
3/4"	1/2"	86	43	37	.STR 69 62
1"	1/2"	103	52	37	.STR 90 62
1"	3/4"	103	52	43	.STR 90 69
1 1/4"	3/4"	115	64	43	.STR 93 69
1 1/4"	1"	115	64	52	.STR 93 90
1 1/2"	1"	120	69	52	.STR 97 90
1 1/2"	1 1/4"	125	69	64	.STR 97 93
2"	1 1/4"	146	82	64	.STR 95 93
2"	1 1/2"	146	82	70	.STR 95 97



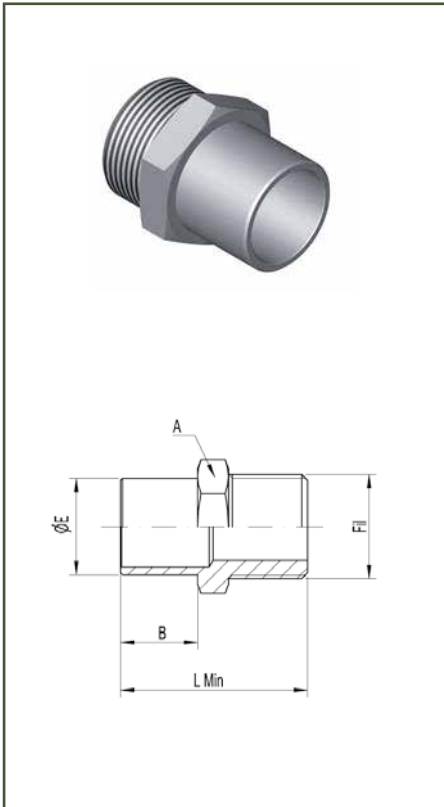
Ø E	L Min	Ch _A	Ch _B	Codice
6	23	18	15	.STP 06 00
8	24	19	17	.STP 08 00
10	25	21	19	.STP 10 00
12	27	25	21	.STP 12 00
14	28	27	24	.STP 14 00
15	27	27	25	.STP 15 00
16	27	29	26	.STP 16 00
18	29	31	28	.STP 18 00
20	30	33	30	.STP 20 00
22	30	37	34	.STP 22 00
25	31	42	37	.STP 25 00
28	31	43	40	.STP 28 00
30	32	47	45	.STP 30 00
32	33	50	45	.STP 32 00
35	34	52	47	.STP 35 00
38	36	54	50	.STP 38 00
42	36	64	60	.STP 42 00
45	36	69	65	.STP 45 00
50	36	72	70	.STP 50 00
54	41	75	70	.STP 54 00
<hr/>				
1/4"	25	27	28	.STP 56 00
3/8"	26,5	30	30	.STP 60 00
1/2"	27	37	37	.STP 62 00
3/4"	30,5	43	43	.STP 69 00
1"	34	52	52	.STP 90 00
1 1/4"	35	64	64	.STP 93 00
1 1/2"	36	69	70	.STP 97 00
2"	41,5	82	82	.STP 95 00



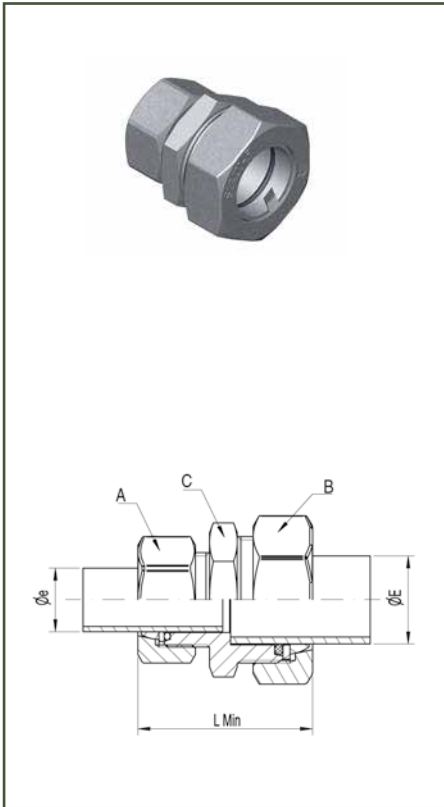
Ø E	L Min	Ch _A	Ch _B	Codice
6	56	18	15	.SRP 06 00
8	58	19	17	.SRP 08 00
10	59	21	19	.SRP 10 00
12	63	25	22	.SRP 12 00
14	69	27	24	.SRP 14 00
15	66	27	25	.SRP 15 00
16	66	29	26	.SRP 16 00
18	66	31	28	.SRP 18 00
20	69	33	30	.SRP 20 00
22	70	37	34	.SRP 22 00
25	75	42	38	.SRP 25 00
28	69	43	40	.SRP 28 00
30	75	47	45	.SRP 30 00
32	75	50	45	.SRP 32 00
35	83	52	47	.SRP 35 00
38	83	54	50	.SRP 38 00
42	83	64	60	.SRP 42 00
45	88	69	65	.SRP 45 00
50	86	72	70	.SRP 50 00
54	94	75	70	.SRP 54 00
<hr/>				
1/4"	63	27	27	.SRP 56 00
3/8"	63	30	27	.SRP 60 00
1/2"	66	37	34	.SRP 62 00
3/4"	68	43	40	.SRP 69 00
1"	77	52	47	.SRP 90 00
1 1/4"	80	64	60	.SRP 93 00
1 1/2"	83	69	65	.SRP 97 00
2"	97	82	80	.SRP 95 00



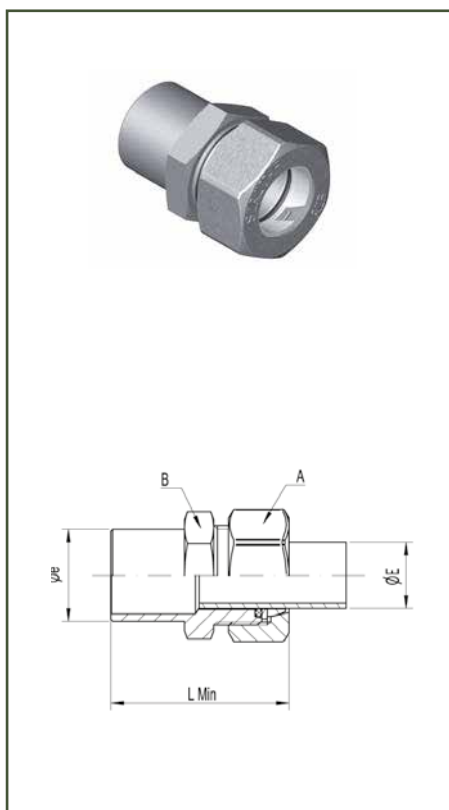
ø E	Fil.	LMin	ChA	B	Codice
14	1/4"	35	20	19	.SAF 14 13
14	3/8"	35	24	19	.SAF 14 17
14	1/2"	40	28	23	.SAF 14 21
14	3/4"	40	36	19	.SAF 14 27
16	1/2"	37	28	20	.SAF 16 21
16	3/4"	39	36	20	.SAF 16 27
18	3/8"	37	24	21	.SAF 18 17
18	1/2"	38	28	21	.SAF 18 21
18	3/4"	40	36	21	.SAF 18 27
18	1"	44	45	21	.SAF 18 34
20	1/2"	38	28	21	.SAF 20 21
20	3/4"	40	36	21	.SAF 20 27
20	1"	44	45	21	.SAF 20 34
25	3/8"	40	27	23	.SAF 25 17
25	1/2"	40	28	23	.SAF 25 21
25	3/4"	42	36	23	.SAF 25 27
25	1"	46	45	23	.SAF 25 34
25	1 1/4"	47	52	23	.SAF 25 42
28	3/4"	42	36	23	.SAF 28 27
28	1"	46	45	23	.SAF 28 34
30	1/2"	40	32	23	.SAF 30 21
30	3/4"	42	36	23	.SAF 30 27
30	1"	42	45	23	.SAF 30 34
30	1 1/4"	43	52	23	.SAF 30 42
30	1 1/2"	43	60	24	.SAF 30 49
38	1"	50	45	27	.SAF 38 34
38	1 1/4"	50	52	27	.SAF 38 42
38	1 1/2"	51	60	27	.SAF 38 49
42	1"	51	45	29	.SAF 42 34
42	1 1/4"	51	52	29	.SAF 42 42
45	1 1/2"	55	60	30	.SAF 45 49
50	1 1/2"	55	60	30	.SAF 50 49
54	2"	61	60	36	.SAF 54 48
<hr/>					
1/4"	1/4"	35	20	19	.SAF 56 13
1/4"	3/8"	35	24	19	.SAF 56 17
1/4"	1/2"	37	28	19	.SAF 56 21
3/8"	1/4"	37	20	19	.SAF 60 13
3/8"	3/8"	37	24	20	.SAF 60 17
3/8"	1/2"	37	28	20	.SAF 60 21
1/2"	1/4"	37	20	21	.SAF 62 13
1/2"	3/8"	37	24	21	.SAF 62 17
1/2"	1/2"	38	28	21	.SAF 62 21
3/4"	3/8"	39	24	23	.SAF 69 17
3/4"	1/2"	40	28	23	.SAF 69 21
3/4"	3/4"	43	36	23	.SAF 69 27
3/4"	1"	46	45	23	.SAF 69 34
1"	1/2"	42	28	25	.SAF 90 21
1"	3/4"	43	36	25	.SAF 90 27
1"	1"	48	45	25	.SAF 90 34
1 1/4"	1"	51	45	28	.SAF 93 34
1 1/4"	1 1/4"	51	52	28	.SAF 93 42
1 1/2"	1"	52	45	29	.SAF 97 34
1 1/2"	1 1/4"	52	52	29	.SAF 97 42
1 1/2"	1 1/2"	54	60	29	.SAF 97 49
2"	1 1/4"	59	52	36	.SAF 95 42
2"	1 1/2"	61	60	36	.SAF 95 49
2"	2"	62	60	36	.SAF 95 48



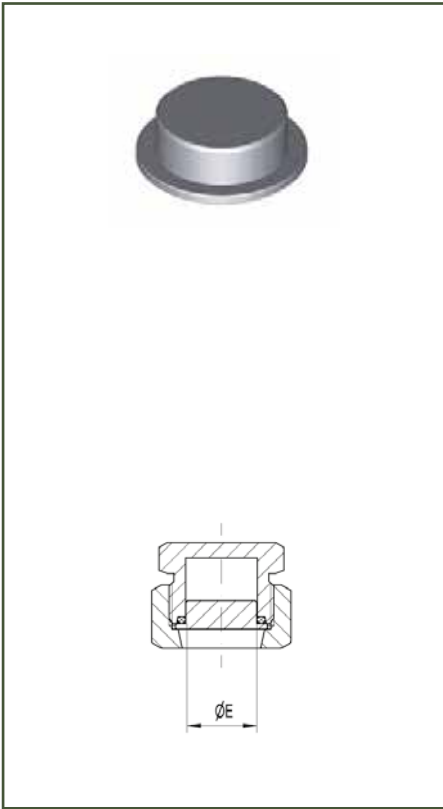
Ø E	Fil.	LMin	ChA	B	Codice
14	1/4"	38	14	19	.SAG 14 13
14	3/8"	38	18	19	.SAG 14 17
14	1/2"	39	22	19	.SAG 14 21
14	3/4"	42	28	19	.SAG 14 27
16	1/2"	40	22	20	.SAG 16 21
16	3/4"	43	28	20	.SAG 16 27
18	3/8"	40	19	21	.SAG 18 17
18	1/2"	41	22	21	.SAG 18 21
18	3/4"	44	28	21	.SAG 18 27
18	1"	47	34	21	.SAG 18 34
20	1/2"	42	22	21	.SAG 20 21
20	3/4"	44	28	21	.SAG 20 27
20	1"	47	34	21	.SAG 20 34
25	3/8"	43	27	23	.SAG 25 17
25	1/2"	44	27	23	.SAG 25 21
25	3/4"	46	28	23	.SAG 25 27
25	1"	49	34	23	.SAG 25 34
25	1 1/4"	49	45	23	.SAG 25 42
28	3/4"	47	30	23	.SAG 28 27
28	1"	50	34	23	.SAG 28 34
30	1/2"	48	32	23	.SAG 30 21
30	3/4"	48	32	23	.SAG 30 27
30	1"	51	34	23	.SAG 30 34
30	1 1/4"	51	45	23	.SAG 30 42
30	1 1/2"	53	50	23	.SAG 30 49
38	1"	55	40	27	.SAG 38 34
38	1 1/4"	55	45	27	.SAG 38 42
38	1 1/2"	57	50	27	.SAG 38 49
42	1"	56	44	29	.SAG 42 34
42	1 1/4"	56	45	29	.SAG 42 42
45	1 1/2"	60	50	30	.SAG 45 49
50	1 1/2"	61	55	30	.SAG 50 49
54	2"	67	65	36	.SAG 54 48
<hr/>					
1/4"	1/4"	38	14	19	.SAG 56 13
1/4"	3/8"	38	18	19	.SAG 56 17
1/4"	1/2"	39	22	19	.SAG 56 21
3/8"	1/4"	39	19	20	.SAG 60 13
3/8"	3/8"	39	19	20	.SAG 60 17
3/8"	1/2"	40	22	20	.SAG 60 21
1/2"	1/4"	40	14	21	.SAG 62 13
1/2"	3/8"	40	18	21	.SAG 62 17
1/2"	1/2"	41	22	21	.SAG 62 21
3/4"	3/8"	43	21	23	.SAG 69 17
3/4"	1/2"	44	22	23	.SAF 69 21
3/4"	3/4"	46	28	23	.SAG 69 27
3/4"	1"	49	34	23	.SAG 69 34
1"	1/2"	46	27	25	.SAG 90 21
1"	3/4"	48	28	25	.SAG 90 27
1"	1"	51	34	25	.SAG 90 34
1 1/4"	1"	56	34	28	.SAG 93 34
1 1/4"	1 1/4"	56	45	28	.SAG 93 42
1 1/2"	1"	57	40	29	.SAG 97 34
1 1/2"	1 1/4"	57	45	29	.SAG 97 42
1 1/2"	1 1/2"	59	50	29	.SAG 97 49
2"	1 1/4"	65	55	36	.SAG 95 42
2"	1 1/2"	67	55	36	.SAG 95 49
2"	2"	67	65	36	.SAG 95 48



ø E	ø e	L Min	Ch _A	Ch _B	Ch _C	Codice
8	6	42	18	19	18	.SRR 08 06
10	8	43	19	21	20	.SRR 10 08
12	8	45	19	25	23	.SRR 12 08
12	10	46	21	25	23	.SRR 12 10
14	8	47	19	27	25	.SRR 14 08
14	10	48	21	27	25	.SRR 14 10
14	12	49	25	27	25	.SRR 14 12
16	12	47	25	29	27	.SRR 16 12
16	14	49	27	29	27	.SRR 16 14
18	12	49	25	31	30	.SRR 18 12
18	14	51	27	31	30	.SRR 18 14
20	14	52	27	33	32	.SRR 20 14
20	18	52	31	33	32	.SRR 20 18
22	18	52	31	37	34	.SRR 22 18
25	18	50	31	42	38	.SRR 25 18
25	20	52	33	42	38	.SRR 25 20
25	22	51	37	42	38	.SRR 25 22
28	20	51	33	43	40	.SRR 28 20
28	22	51	37	43	40	.SRR 28 22
28	25	54	42	43	40	.SRR 28 25
30	22	53	37	47	45	.SRR 30 22
30	25	54	42	47	45	.SRR 30 25
30	28	54	43	47	45	.SRR 30 28
32	20	54	33	50	46	.SRR 32 20
<hr/>						
3/8"	1/4"	45	27	30	28	.SRR 60 56
1/2"	1/4"	47	27	37	34	.SRR 62 56
1/2"	3/8"	47	30	37	34	.SRR 62 60
3/4"	1/4"	48	27	43	40	.SRR 69 56
3/4"	3/8"	49	30	43	40	.SRR 69 60
3/4"	1/2"	50	37	43	40	.SRR 69 62
1"	3/8"	54	30	52	48	.SRR 90 60
1"	1/2"	55	37	52	48	.SRR 90 62
1"	3/4"	56	43	52	48	.SRR 90 69
1 1/4"	1/2"	56	37	64	60	.SRR 93 62
1 1/4"	3/4"	56	43	64	60	.SRR 93 69
1 1/4"	1"	59	52	64	60	.SRR 93 90
1 1/2"	3/4"	57	43	69	65	.SRR 97 69
1 1/2"	1"	60	52	69	65	.SRR 97 90
1 1/2"	1 1/4"	60	64	69	65	.SRR 97 93
2"	1"	65	52	82	80	.SRR 95 90
2"	1 1/4"	65	64	82	80	.SRR 95 93
2"	1 1/2"	68	69	82	80	.SRR 95 97



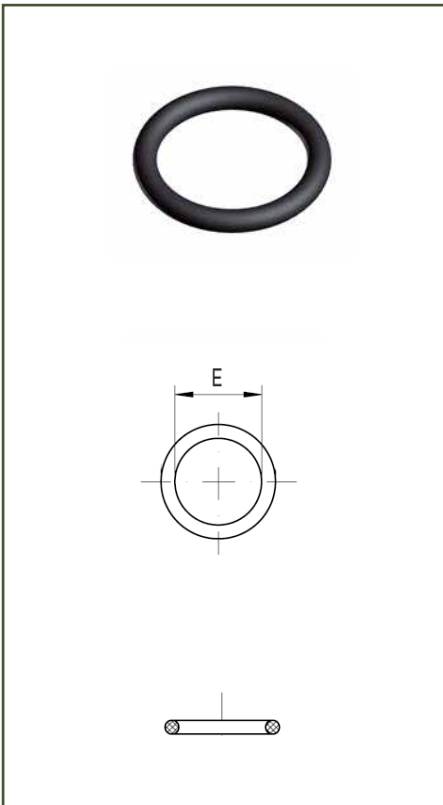
$\varnothing E$	$\varnothing e$	LMin	ChA	ChB	Codice
8	6	42	19	18	.SAR 08 06
10	8	43,5	21	20	.SAR 10 08
12	8	46	25	23	.SAR 12 08
12	10	46	25	23	.SAR 12 10
14	8	46	27	25	.SAR 14 08
14	10	46	27	25	.SAR 14 10
14	12	46	27	25	.SAR 14 12
16	12	47,5	29	27	.SAR 16 12
16	14	47,5	29	27	.SAR 16 14
18	12	51	31	30	.SAR 18 12
18	14	51	31	30	.SAR 18 14
20	14	51,5	33	32	.SAR 20 14
20	18	51,5	33	32	.SAR 20 18
22	18	52	37	35	.SAR 22 18
25	18	52	42	38	.SAR 25 18
25	20	52	42	38	.SAR 25 20
25	22	52	42	38	.SAR 25 22
28	20	52,5	43	40	.SAR 28 20
28	22	52,5	43	40	.SAR 28 22
28	25	52,5	43	40	.SAR 28 25
30	22	53	47	45	.SAR 30 22
30	25	53	47	45	.SAR 30 25
30	28	53	47	45	.SAR 30 28
32	20	53,5	50	46	.SAR 32 20
32	25	53,5	50	46	.SAR 32 25
32	30	52,3	50	46	.SAR 32 30
35	22	58	52	48	.SAR 35 22
35	25	58	52	48	.SAR 35 25
35	28	58	52	48	.SAR 35 28
38	22	58,5	54	52	.SAR 38 22
38	25	58,5	54	52	.SAR 38 25
38	30	58,5	54	52	.SAR 38 30
42	25	61	64	60	.SAR 42 25
42	28	61	64	60	.SAR 42 28
42	30	61	64	60	.SAR 42 30
42	35	61	64	60	.SAR 42 35
42	38	61	64	60	.SAR 42 38
45	30	61,5	69	65	.SAR 45 30
45	32	61,5	69	65	.SAR 45 32
45	35	61,5	69	65	.SAR 45 35
45	38	61,5	69	65	.SAR 45 38
50	35	62	72	70	.SAR 50 35
50	38	62	72	70	.SAR 50 38
50	42	62	72	70	.SAR 50 42
54	35	78,5	75	75	.SAR 54 35
54	38	78,5	75	75	.SAR 54 38
<hr/>					
3/8"	1/4"	45	30	28	.SAR 60 56
1/2"	1/4"	50	37	34	.SAR 62 56
1/2"	3/8"	50	37	34	.SAR 62 60
3/4"	3/8"	52	43	41	.SAR 69 60
3/4"	1/2"	52	43	41	.SAR 69 62
1"	1/2"	58	52	48	.SAR 90 62
1"	3/4"	58	52	48	.SAR 90 69
1 1/4"	3/4"	60	64	60	.SAR 93 69
1 1/4"	1"	60	64	60	.SAR 93 90
1 1/2"	1"	66	69	65	.SAR 97 90
1 1/2"	1 1/4"	66	69	65	.SAR 97 93
2"	1 1/4"	80	82	80	.SAR 95 93
2"	1 1/2"	80	82	80	.SAR 95 97



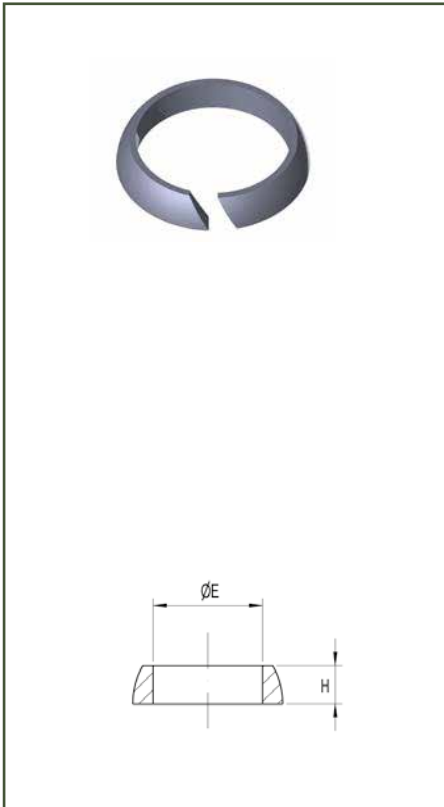
Ø E	Codice
6	.SOT 06 00
8	.SOT 08 00
10	.SOT 10 00
12	.SOT 12 00
14	.SOT 14 00
15	.SOT 15 00
16	.SOT 16 00
18	.SOT 18 00
20	.SOT 20 00
22	.SOT 22 00
25	.SOT 25 00
28	.SOT 28 00
30	.SOT 30 00
32	.SOT 32 00
35	.SOT 35 00
38	.SOT 38 00
42	.SOT 42 00
45	.SOT 45 00
50	.SOT 50 00
54	.SOT 54 00
<hr/>	
1/4"	.SOT 56 00
3/8"	.SOT 60 00
1/2"	.SOT 62 00
3/4"	.SOT 69 00
1"	.SOT 90 00
1 1/4"	.SOT 93 00
1 1/2"	.SOT 97 00
2"	.SOT 95 00

.SOR

O-RING - JOINT TORIQUE

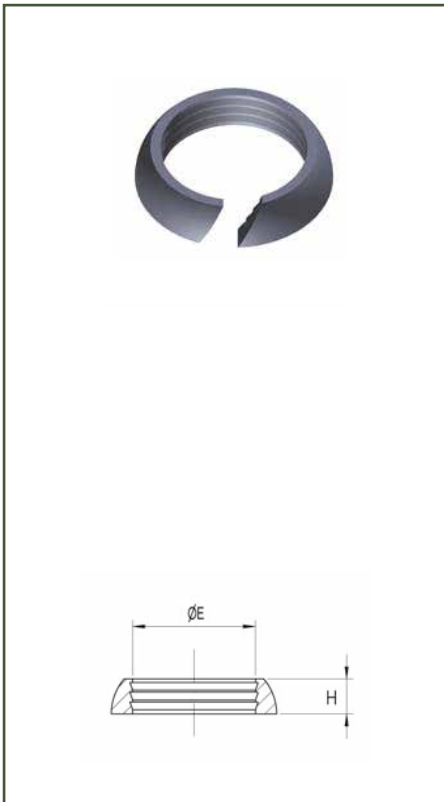


Ø E	Codice
6	.SOR 06 00
8	.SOR 08 00
10	.SOR 10 00
12	.SOR 12 00
14	.SOR 14 00
15	.SOR 15 00
16	.SOR 16 00
18	.SOR 18 00
20	.SOR 20 00
22	.SOR 22 00
25	.SOR 25 00
28	.SOR 28 00
30	.SOR 30 00
32	.SOR 32 00
35	.SOR 35 00
38	.SOR 38 00
42	.SOR 42 00
45	.SOR 45 00
50	.SOR 50 00
54	.SOR 54 00
<hr/>	
1/4"	.SOR 56 00
3/8"	.SOR 60 00
1/2"	.SOR 62 00
3/4"	.SOR 69 00
1"	.SOR 90 00
1 1/4"	.SOR 93 00
1 1/2"	.SOR 97 00
2"	.SOR 95 00

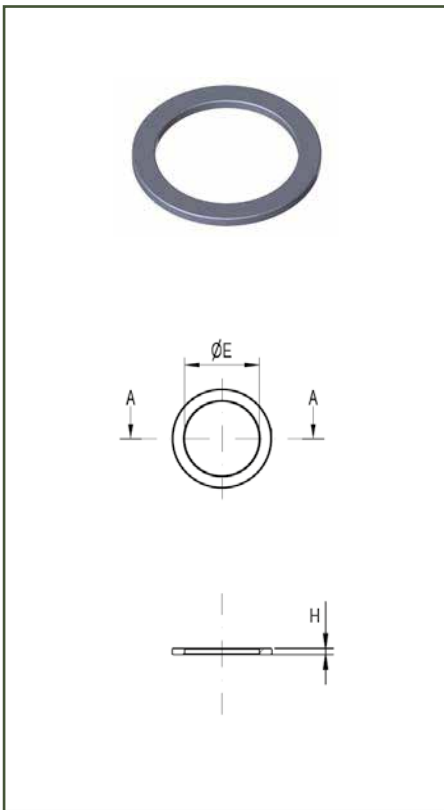


Ø E	H	Codice
6	4,5	.SAC 06 00
8	4,5	.SAC 08 00
10	5	.SAC 10 00
12	5	.SAC 12 00
14	5	.SAC 14 00
15	5	.SAC 15 00
16	5	.SAC 16 00
18	5	.SAC 18 00
20	5	.SAC 20 00
22	5	.SAC 22 00
25	5,5	.SAC 25 00
28	5,5	.SAC 28 00
30	5,5	.SAC 30 00
32	5,5	.SAC 32 00
35	6	.SAC 35 00
38	6	.SAC 38 00
42	6,5	.SAC 42 00
45	6,5	.SAC 45 00
50	7	.SAC 50 00
54	8	.SAC 54 00
<hr/>		
1/4"	5	.SAC 56 00
3/8"	5	.SAC 60 00
1/2"	5	.SAC 62 00
3/4"	5,5	.SAC 69 00
1"	6	.SAC 90 00
1 1/4"	6,5	.SAC 93 00
1 1/2"	6,5	.SAC 97 00
2"	8,5	.SAC 95 00

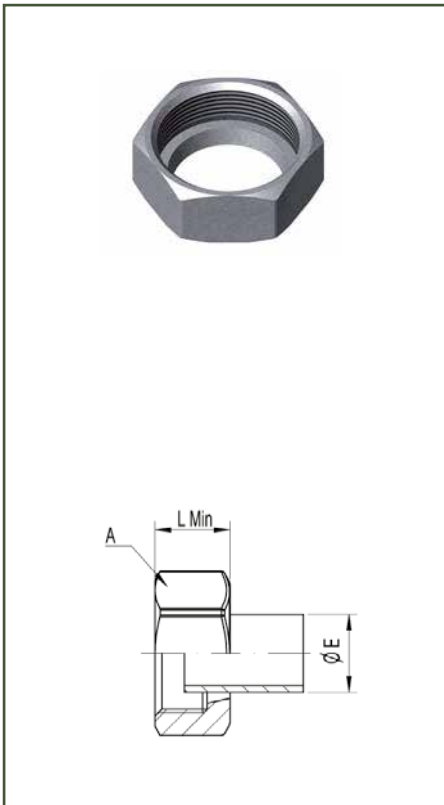
ANELLO CONICO RIGATO IN ACCIAIO INOX - STEINLESS STEEL SPLINED CONICAL RING
 KEGELRING AUS ROSTFREIEM STAHL MIT NUTEN
 BAGUE CONIQUE RAINÉE EN ACIER INOXYDABLE



Ø E	H	Codice
6	4,5	.SRA 06 00
8	4,5	.SRA 08 00
10	5	.SRA 10 00
12	5	.SRA 12 00
14	5	.SRA 14 00
15	5	.SRA 15 00
16	5	.SRA 16 00
18	5	.SRA 18 00
20	5	.SRA 20 00
22	5	.SRA 22 00
25	5,5	.SRA 25 00
28	5,5	.SRA 28 00
30	5,5	.SRA 30 00
32	5,5	.SRA 32 00
35	6	.SRA 35 00
38	6	.SRA 38 00
42	6,5	.SRA 42 00
45	6,5	.SRA 45 00
50	7	.SRA 50 00
54	8	.SRA 54 00
<hr/>		
1/4"	5	.SRA 56 00
3/8"	5	.SRA 60 00
1/2"	5	.SRA 62 00
3/4"	5,5	.SRA 69 00
1"	6	.SRA 90 00
1 1/4"	6,5	.SRA 93 00
1 1/2"	6,5	.SRA 97 00
2"	8,5	.SRA 95 00



Ø E	H	Codice
6	1,5	.SPR 06 00
8	1,5	.SPR 08 00
10	1,5	.SPR 10 00
12	1,5	.SPR 12 00
14	1,5	.SPR 14 00
15	1,5	.SPR 15 00
16	1,5	.SPR 16 00
18	1,5	.SPR 18 00
20	1,5	.SPR 20 00
22	1,5	.SPR 22 00
25	2	.SPR 25 00
28	2	.SPR 28 00
30	2	.SPR 30 00
32	2	.SPR 32 00
35	2	.SPR 35 00
38	2	.SPR 38 00
42	2	.SPR 42 00
45	2	.SPR 45 00
50	3	.SPR 50 00
54	3	.SPR 54 00
<hr/>		
1/4"	1,5	.SPR 56 00
3/8"	1,5	.SPR 60 00
1/2"	1,5	.SPR 62 00
3/4"	2	.SPR 69 00
1"	2	.SPR 90 00
1 1/4"	2	.SPR 93 00
1 1/2"	2	.SPR 97 00
2"	2,5	.SPR 95 00

.SDA
DADO - NUT - ÜBERWURFMUTTERN - ECROU


Ø E	L Min	ChA	Codice
6	13	18	.SDA 06 00
8	13	19	.SDA 08 00
10	15	21	.SDA 10 00
12	15	25	.SDA 12 00
14	15	27	.SDA 14 00
15	15	27	.SDA 15 00
16	15	29	.SDA 16 00
18	16	31	.SDA 18 00
20	16	33	.SDA 20 00
22	16	37	.SDA 22 00
25	17	42	.SDA 25 00
28	17	43	.SDA 28 00
30	17	47	.SDA 30 00
32	17	50	.SDA 32 00
35	18	52	.SDA 35 00
38	19	54	.SDA 38 00
42	20	64	.SDA 42 00
45	20	69	.SDA 45 00
50	20	72	.SDA 50 00
54	23	75	.SDA 54 00
<hr/>			
1/4"	15	27	.SDA 56 00
3/8"	15	30	.SDA 60 00
1/2"	16	37	.SDA 62 00
3/4"	17	43	.SDA 69 00
1"	19	52	.SDA 90 00
1 1/4"	20	64	.SDA 93 00
1 1/2"	21	69	.SDA 97 00
2"	23	82	.SDA 95 00

Registrato dall'Ufficio Italiano Brevetti
Registered with the Italian Patent Office



APPLICAZIONI - APPLICATIONS

- Impianti con raccordi din 2353
- Impianti con raccordi a bicono
- Impianti freno e condizionamento con raccordi ad anello conico RTAU/SIRIT e di altri costruttori

- Installations with din 2353 unions
- Installations with biconical unions
- Brake and air conditioning systems with conical ring unions of RTAU/SIRIT and other manufacturers

SETTORI - SECTORS

- Automazione industriale oleodinamica e pneumatica
- Ferroviario, tramviario, condizionamento, anti-incendio

- Oil-pressure and pneumatic industrial automation
- Railway, tramway, air-conditioning, fire prevention

VANTAGGI - ADVANTAGES

- Può essere montato anche su connessioni di Impianti in funzione
- Può essere montato nella posizione più comoda dell'operatore
- Di facile identificazione con il codice SCP - O (ottone) - A (acciaio) - X (inox) - ø est. del tubo
- Di facile montaggio
- Di facile gestione, nelle confezioni da 25 pz.

- It can be assembled also on already working installations
- It can be assembled in the most convenient position for the operator
- Easy identification by the code SCP - O (brass) - A (steel) - X (stainless steel) - ext. pipe Ø
- Easy assembly
- Easy handling in 25 pcs packets

**SEMPLICE, ECONOMICO, EFFICACE!
EASY, CHEAP, EFFECTIVE!**

SI POSSONO FORNIRE RACCORDI NON INCLUSI IN QUESTO CATALOGO.
PER OGNI VOSTRA ESIGENZA TECNICA, I NOSTRI COLLABORATORI SONO A VOSTRA DISPOSIZIONE.

JOINTS NOT INCLUDED IN THIS CATALOGUE ARE AVAILABLE ON REQUEST.
FOR ANY TECHNICAL REQUIREMENT PLEASE CONTACT OUR STAFF.

Registriert beim italienischen Patentamt
Enregistré par l'Office Italien des Brevets



ANWENDUNG - APPLICATIONS

- Anlagen mit doppelkonischen DIN 2353 Verschraubungen
- Anlagen mit doppelkonischen Verschraubungen
- Brems- und Klimaanlage mit konischen RTAU/SIRIT Ring-Verschraubungen und von anderen Herstellern
- Installations avec raccords DIN 2353
- Installations avec raccords biconiques
- Systèmes de freinage et conditionnement avec raccords à bague conique RTAU/SIRIT et d'autres constructeurs

SEKTOREN - SECTEURS

- Öldynamische und pneumatische industrielle Automatisierung
- Eisenbahntechnik, Straßenbahntechnik, Klimatechnik, Brandschutz
- Automatisation industrielle oléohydraulique et pneumatique
- Ferroviaire, tramways, conditionnement, anti-incendie

VORTEILE - AVANTAGES

- Kann auch in Verbindungen bei im Betrieb befindlichen Anlagen eingebaut werden
- Die Montage kann auch in der für den Bediener am bequemsten resultierenden Position erfolgen
- Einfache Identifizierung mit dem Code SCP- O (Messing) - A (Stahl) - X (Edelstahl)
- Einfache Montage
- Einfache Handhabung, mit Verpackungen je 25 St.
- Peut aussi être monté sur des liaisons d'installations en fonctionnement
- Peut être monté dans la position la plus pratique pour l'opérateur
- Identification simplifiée avec le code SCP - O (laiton) - A (acier) - X (inox) - ø ext. du tube
- Montage facile
- Gestion simplifiée, par confection de 25 pièces.

EINFACH, PREISGÜNSTIG, LEISTUNGSSTARK!
SIMPLE, ECONOMIQUE, EFFICACE !

ES KÖNNEN VERSCHRAUBUNGEN GELIEFERT WERDEN, DIE NICHT IN DIESEM KATALOG ENTHALTEN SIND.
FÜR JEDEN TECHNISCHEN ANSPRUCH STEHEN IHNEN UNSERE TECHNIKER ZUR VERFÜGUNG.

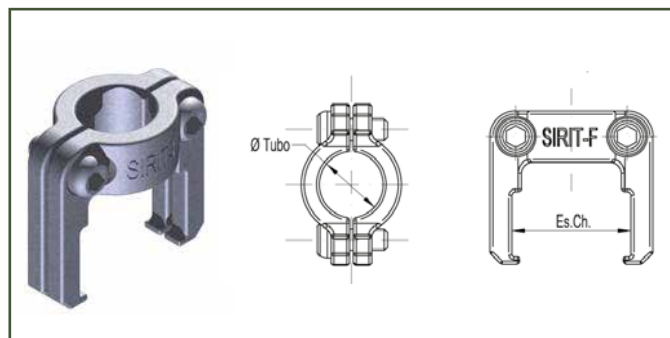
NOUS POUVONS VOUS FOURNIR DES RACCORDS QUI NE SONT PAS INCLUS DANS CE CATALOGUE.
POUR TOUT PROBLEME TECHNIQUE, NOS COLLABORATEURS SONT A VOTRE DISPOSITION.

"COLLARE DI SICUREZZA RTAU®" IN OTTONE ZINCATO PER RACCORDI AD ANELLO CONICO DI TIPO FERROVIARIO

ZN - BRASS "RTAU® SAFETY COLLAR" FOR RAILWAY CONICAL RING PIPE FITTINGS

"RTAU® - SICHERHEITSBUND" AUS VERZINKTEM MESSING FÜR BAHN - KEGELRINGVERSCHRAUBUNGEN

"COLLIER DE SÉCURITÉ RTAU®" EN LAITON ZINGUÉ POUR RACCORDS À BAGUE CONIQUE DE TYPE FERROVIAIRE



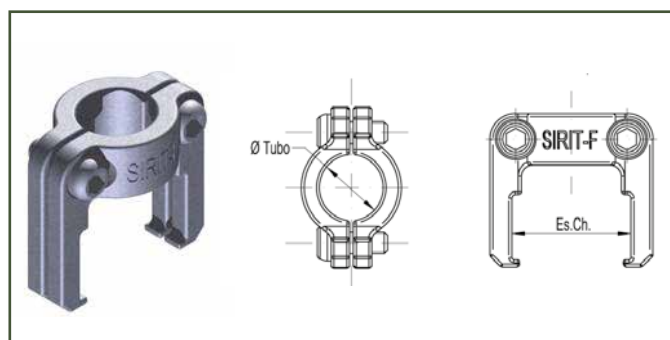
Ø Tubo	Ch	Codice
6	19	.SCO 06 00
8	21	.SCO 08 00
10	24	.SCO 10 00
12	25	.SCO 12 00
14	28	.SCO 14 00
15	28	.SCO 15 00
16	29	.SCO 16 00
18	32	.SCO 18 00
20	33	.SCO 20 00
22	37	.SCO 22 00
25	42	.SCO 25 00
28	43	.SCO 28 00
30	48	.SCO 30 00
32	50	.SCO 32 00
35	52	.SCO 35 00
38	54	.SCO 38 00
42	64	.SCO 42 00
45	69	.SCO 45 00
50	72	.SCO 50 00
54	80	.SCO 54 00
<hr/>		
1/4"	28	.SCO 56 00
3/8"	30	.SCO 60 00
1/2"	37	.SCO 62 00
3/4"	43	.SCO 69 00
1"	52	.SCO 90 00
1 1/4"	64	.SCO 93 00
1 1/2"	70	.SCO 97 00
2"	82	.SCO 95 00

"COLLARE DI SICUREZZA RTAU®" IN ACCIAIO ZINCATO E INOX PER RACCORDI DIN 2353

GALVANIZED AND STAINLESS STEEL "RTAU® SAFETY COLLAR" FOR DIN 2353 PIPE FITTINGS

"RTAU® - SICHERHEITSBUND" AUS VERZINKTEM UND ROSTFREIEM STAHL FÜR DIN 2353 - VERSCHRAUBUNGEN

"COLLIER DE SÉCURITÉ RTAU®" EN ACIER ZINGUÉ ET INOXYDABLE POUR RACCORDS DIN 2353



Ø Tubo	Ch	Codice Zn	Codice Inox
6	14	.SCA.06.00L	.SCX.06.00L
8	17	.SCA.08.00L	.SCX.08.00L
10	19	.SCA.10.00L	.SCX.10.00L
12	22	.SCA.12.00L	.SCX.12.00L
15	27	.SCA.15.00L	.SCX.15.00L
18	32	.SCA.18.00L	.SCX.18.00L
22	36	.SCA.22.00L	.SCX.22.00L
25	46	.SCA.25.00L	.SCX.25.00L
28	41	.SCA.28.00L	.SCX.28.00L
35	50	.SCA.35.00L	.SCX.35.00L
42	60	.SCA.42.00L	.SCX.42.00L

RESPONSABILITÀ PRODOTTI

L'utente è direttamente responsabile dell'impiego e del montaggio del prodotto ed è tenuto al rispetto delle istruzioni di impiego che troverà indicate all'interno della documentazione o potrà richiedere ai tecnici della TOSI F.Ili S.r.l.

I diritti di garanzia dell'utilizzatore saranno applicati e rispettati solo nelle condizioni sopra esposte. Il mancato rispetto delle stesse può pregiudicare la sicurezza funzionale del prodotto e determina la perdita dei diritti di garanzia.

Le quote riportate nelle tabelle di questo catalogo sono soltanto indicative. Ci riserviamo il diritto di apportare variazioni tecniche, dimensionali ed estetiche ai prodotti senza preavviso.

I dati tecnici del presente catalogo sono di carattere indicativo, frutto di prove effettuate in laboratorio e limitate rispetto alle casistiche dell'uso possibile e dalle norme delle certificazioni.

Si consiglia agli utilizzatori di effettuare prove di simulazione per l'impiego del prodotto nelle reali condizioni d'uso. Le istruzioni di montaggio e assemblaggio sono da intendersi come consigli per un impiego ottimale del prodotto sfruttando al meglio le caratteristiche costruttive.

IDENTIFICAZIONE DI PRODUZIONE

Il "2" che precede il codice compare/non compare in tutti i documenti da noi emessi ma può essere omesso in fase d'ordine.

CONDIZIONI GENERALI DI VENDITA

ORDINI: Gli ordini si intendono acquisiti dopo la nostra regolare conferma.

PREZZI: I prezzi sono quelli in vigore al momento della consegna e confermati al momento dell'accettazione.

RESI: Non si accetta merce di ritorno senza ns. preventiva autorizzazione e in ogni caso solo in porto franco.

CONSEGNE: I termini di consegna eventualmente pattuiti si intendono salvo imprevisti e salvo cause di forza maggiore.

CONDIZIONI DI PAGAMENTO

Le condizioni sono quelle indicate nelle offerte e nelle conferme d'ordine e sono impegnative. Su ogni ritardo di pagamento verrà calcolato l'interesse bancario corrente. Il ritardato pagamento ci autorizza a sospendere senza alcun preavviso le forniture in corso.

RISERVATO DOMINIO

Riteniamo il riservato dominio sulla merce consegnata fino al pagamento integrale della fattura relativa.

CONTROVERSIE

Per qualsiasi controversia il foro competente è quello di Vercelli.

PRODUCT LIABILITY

The user is directly responsible for product use and assembly and shall comply with the user manual enclosed in the documentation; otherwise he may request it from TOSI F.Ili S.r.l.'s technical department.

End user's warranty rights shall apply exclusively in the a/m conditions. Failure to comply with such terms shall jeopardize product functional safety and lead to loss of warranty coverage.

Measures and dimensions given in the tables of this catalogue are just for reference. We reserve the right to modify technical, aesthetical and dimensional data to products with no need for previous notice.

Technical data reported in this catalogue are only for reference, as they are the result of laboratory tests and are limited with regards to possible use and certification requirements.

Users are advised to carry out simulation tests on the product under real and regular usage conditions. Assembly instructions are to be considered as suggestions for a optimal use of the product, exploiting at best its construction features.

PRODUCT IDENTIFICATION

Number "2" preceding the code appears/ does not appear on all documents but can be omitted at order confirmation.

GENERAL SALE TERMS AND CONDITIONS

ORDERS: Orders shall be deemed as acquired following our regular confirmation.

PRICES: Prices shall be those in force at delivery and confirmed at order acceptance.

RETURNS: Goods may not be returned without our prior authorization and only in case of FOB.

DELIVERIES: Delivery terms and conditions are intended as valid save for unexpected and force majeure events.

PAYMENT TERMS AND CONDITIONS

Terms and conditions shall be those included in offers and order confirmations and shall be binding. In case of delayed payments, the current bank interest rate shall apply. The delayed payment shall entitle us to suspend the supply in progress without notice.

LIEN AGREEMENT

We reserve the right of lien on goods delivered up to full payment of the related invoice.

DISPUTES

The court of jurisdiction for all disputes shall be the court of Vercelli.

PRODUKTHAFTPFLICHT

Der Benutzer ist direkt für den Gebrauch und die Montage des Produktes verantwortlich und gehalten, die Gebrauchsanweisungen zu beachten, die den Unterlagen beiliegen oder bei den Technikern der TOSI F.Ili S.r.l. angefragt werden können.

Die Garantierechte des Benutzers finden nur unter den oben aufgeführten Bedingungen Anwendung und Beachtung. Die fehlende Beachtung der Anweisungen kann die Betriebssicherheit des Produktes beeinträchtigen und bewirkt den Verlust der Garantierechte.

Die in den Tabellen dieses Kataloges aufgeführten Preise sind lediglich Richtwerte. Wir behalten uns das Recht vor, technische Änderungen Variationen der Größe und des Aussehens an den Produkten vorzunehmen.

Die in diesem Katalog enthaltenen technischen Daten gelten als Beispiel, sind das Ergebnis von Labortests und sind auf die möglichen Gebrauchsfälle und durch die Zertifizierungsnormen begrenzt. Den Benutzern wird empfohlen, unter den realen Gebrauchsbedingungen Betriebstests mit dem Produkt durchzuführen. Die Anweisungen für die Montage und den Zusammenbau verstehen sich als Empfehlungen für den optimalen Gebrauch des Produktes und die optimale Nutzung der baulichen Eigenschaften.

PRODUKTIONSKENNEZEICHNUNG

Die 2 vor der Artikelnummer erscheint/erscheint nicht in allen von uns erstellten Dokumenten und kann in der Auftragsphase weggelassen werden.

ALLGEMEINE VERKAUFSBEDINGUNGEN

AUFTRÄGE: Die Aufträge verstehen sich nach unserer ordnungsgemäßen Bestätigung als angenommen.

PREISE: Die Preise sind die bei Bestellung geltenden und bei Annahme bestätigten Preise.

RÜCKSENDUNGEN: Wir nehmen keine Warenrückgabe an, die nicht vorher von uns genehmigt wurde und auf jeden Fall nur portofrei.

LIEFERUNGEN: Eventuell vereinbarte Liefertermine verstehen sich ausgenommen Unvorhergesehenes und höhere Gewalt.

ZAHLUNGSBEDINGUNGEN

Die Bedingungen sind die in den Aufträgen und Auftragsbestätigungen angegebenen und sind verpflichtend. Auf jede Zahlungsverzögerung werden die laufenden Bankzinsen berechnet. Verspätete Zahlungen autorisieren uns, ohne jede Vorankündigung die laufenden Lieferungen zu unterbrechen.

EIGENTUMSVORBEHALT

Wir verfügen über das Eigentumsrecht der gelieferten Ware bis zur vollständigen Bezahlung der entsprechenden Rechnung.

STREITSACHEN

Für jegliche Streitsache ist der zuständige Gerichtsstand Vercelli.

RESPONSABILITÉ LIÉE AUX PRODUITS

L'utilisateur est directement responsable de l'emploi et du montage du produit et devra respecter les instructions d'usage se trouvant à l'intérieur de la documentation ou pourra s'adresser aux techniciens de la société TOSI F.Ili S.r.l.

Les droits de garantie de l'utilisateur pourront être appliqués et respectés uniquement dans les conditions susmentionnées. Le non-respect de ces dernières pourrait compromettre la sécurité fonctionnelle du produit et entraînera la perte des droits de garantie.

Les cotes reportées dans les tableaux de ce catalogue sont seulement indicatives. Nous nous réservons le droit d'apporter des variations techniques, dimensionnelles et esthétiques aux produits, sans préavis.

Les données techniques indiquées dans le présent catalogue sont aussi indicatives; elles sont le fruit d'essais effectués en laboratoire et sont non exhaustives par rapport aux cas d'utilisation possibles et aux normes des certifications.

Nous conseillons aux utilisateurs d'effectuer des essais de simulation pour l'emploi du produit dans les conditions réelles d'utilisation. Les instructions de montage et d'assemblage sont proposées à titre de conseils pour une utilisation optimale du produit et en tirant partie au mieux des caractéristiques de construction.

IDENTIFICATION DE FABRICATION

Le « 2 » qui précède le code apparaît/n'apparaît pas dans tous les documents que nous émettons mais peut être omis en phase de commande.

CONDITIONS GÉNÉRALES DE VENTE

COMMANDES: Les commandes ne sont considérées comme achetées qu'après confirmation régulière de notre part.

PRIX: Les prix sont ceux en vigueur au moment de la livraison et confirmés au moment de l'acceptation.

RETOURS DE MARCHANDISES: Le retour de marchandises ne peut être accepté qu'avec notre autorisation préalable et dans tous les cas uniquement en port payé.

LIVRAISONS: Les délais de livraison, éventuellement convenus, sont garantis sauf imprévus et en dehors des cas de force majeure.

CONDITIONS DE PAIEMENT

Les conditions de paiement sont celles indiquées dans les offres et dans les confirmations de commande et vous engagent. Pour tout retard de paiement, un intérêt bancaire au taux en vigueur sera calculé. Tout retard de paiement nous autorise à suspendre, sans aucun préavis, les fournitures en cours.

RESERVE DE PROPRIÉTÉ

Nous nous accordons une réserve de propriété sur la marchandise livrée jusqu'au paiement intégrale de la facture correspondante.

LITIGES

Pour tout litige, le tribunal compétent sera celui de Vercelli.



TOSI F.lli s.r.l.

Fraz. Roccapietra - Z.I. - Via Monte Rosa, 1 - 13019 VARALLO (VC) - ITALY
Tel. +39 0163 51817 - Fax +39 0163 53069
C.F. - P. IVA: 00208520023
e-mail: info@tosi.it - info@sirit.it - tosi@pec.tosi.it
www.tosi.it - www.sirit.it